

Radio-frequency probe

HFS-836 288 120 A 4588A51F50L

Item HFS-836-0001

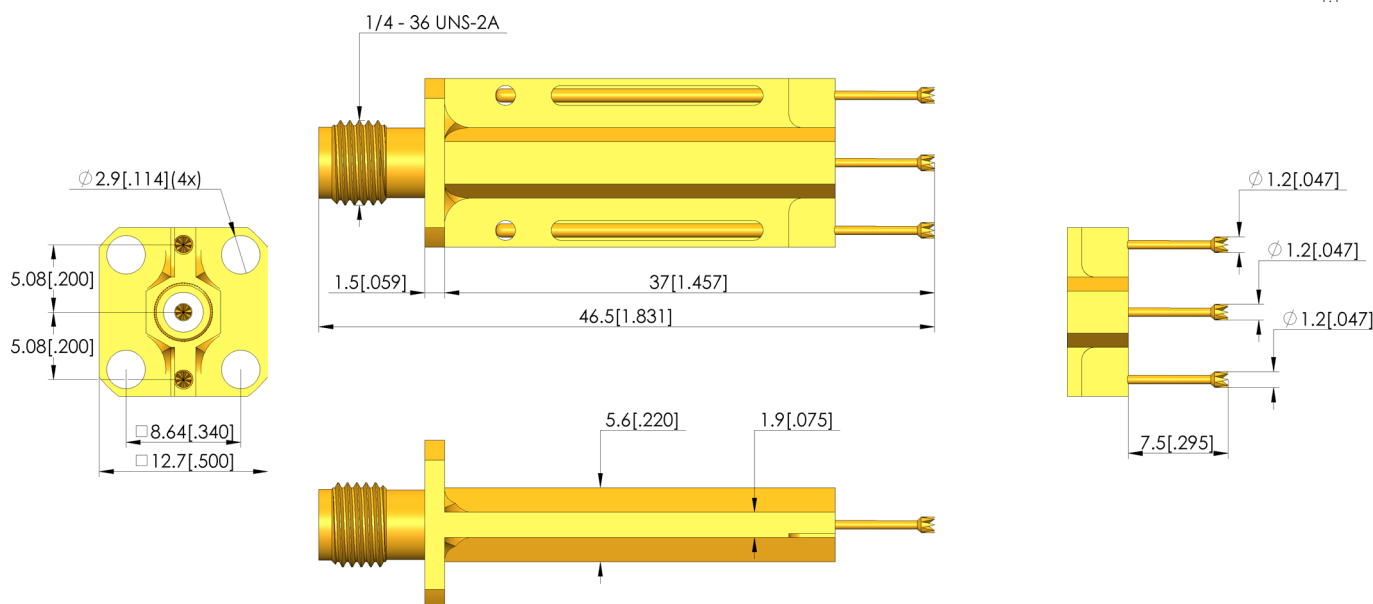
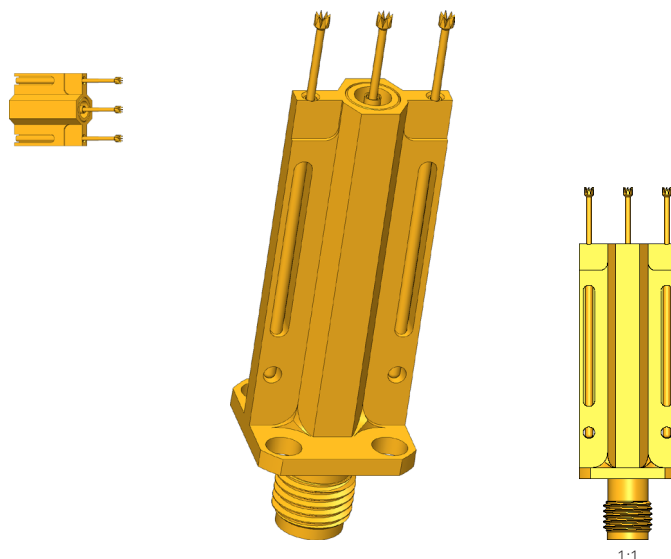


GO TO PRODUCT

ingun[®]

Partner for Future Technology

- For contacting test pads on PCBs (signal/ground structures)
- Up to 4 GHz
- Cable interface SMA
- Installation via flange mounting



General data

Product group:	HFS radio-frequency test probes
Series:	HFS-836
Sub-series:	HFS-836
Grid:	13.2 mm [519 mil]
DUT / contact:	PCB pad GSG
Installation type:	Flange
Floating mount:	No
Non-rotating:	Yes
Continuous plunger:	No
Interface of compatible assembly:	SMA 50 Ohm
Compatible assembly interface gender:	M signal conductor male / pin
Recommended torque at interface:	45 cNm [3.98 lbf-in]
Min. temperature:	-40 °C [-40 °F]
Max. temperature:	80 °C [176 °F]
RoHS-compliant:	Yes

Outer conductor data

Outer conductor tip style:	88 8-point,crown, self-cleaning
Outer conductor tip style diameter:	12.7 mm [.5 in]
Spring force of entire outer conductor at working stroke:	3 N [10.7 ozf]
Outer conductor working stroke:	4.3 mm [.169 in]
Outer conductor maximum stroke:	6.2 mm [.244 in]
Exchangeable outer conductor:	GKS-075-0135
Outer conductor max. current load capacity:	3 A

Inner conductor data

Inner conductor tip style:	88 8-point,crown, self-cleaning
Inner conductor tip style diameter:	1.2 mm [.047 in]
Inner conductor tip style material:	2 steel
Inner conductor tip style surface:	A gold
Number of inner conductors:	1
Exchangeable inner conductor:	GKS-075-0135
Inner conductor working stroke:	4.3 mm [.169 in]
Spring force of each inner conductor at working stroke:	1.5 N [5.39 ozf]
Inner conductor maximum stroke:	6.2 mm [.244 in]
Inner conductor max. current load capacity:	2 A

Radio-frequency probe

HFS-836 288 120 A 4588A51F50L

Item HFS-836-0001



GO TO PRODUCT

ingun[®]

Partner for Future Technology

Electrical data

Frequency range up to:

Impedance:

4 GHz

50 Ohm

Mechanical data

Total spring force at working stroke:

Total length:

Barrel diameter:

Installation height without receptacle:

4.5 N [16.1 ozf]

46.5 mm [1.83 in]

12.7 mm [.5 in]

38.5 mm [1.51 in]

INGUN Prüfmittelbau GmbH

Max-Stromeyer-Straße 162
78467, Constance, Germany
Phone +49 7531 8105-0
Customer hotline +49 7531 8105-888
Fax +49 7531 8105-65
info@ingun.com



Prices and delivery times on request.
Technical changes reserved. 06/26_GB

Learn more about
Radio-frequency test probes



ingun.com