

Top side contacting unit FB-ZSK-ATSM/VA

Item 22652-KIT

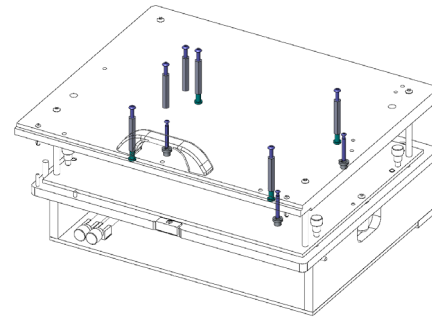


GO TO PRODUCT

ingun[®]

Partner for Future Technology

- Assembly kit for contacting from the top side
- Upper probe plate is not included in the scope of delivery



General data

Product group:
Series:
Type:
Version:
Accessory type:
Scope of delivery:
RoHS-compliant:

Functional units
FB-ATSM^{xx}
Not ESD compliant
Additional contacting unit
Additional function
Unassembled
Yes

Compatible with

Exchangeable kits version:
MA exchangeable kits (ATS MA):

No limitations
ATS MA^{xx}

INGUN Prüfmittelbau GmbH

Max-Stromeyer-Straße 162
78467, Constance, Germany
Phone +49 7531 8105-0
Customer hotline +49 7531 8105-888
Fax +49 7531 8105-65
info@ingun.com



Prices and delivery times on request.
Technical changes reserved. 05/26_GB

Learn more about
MA functional units



FUNCTIONAL UNIT

ingun.com