

Detection - contacted FB-ABF-K-HMK-ATSMAXx

Item 37667



GO TO PRODUCT

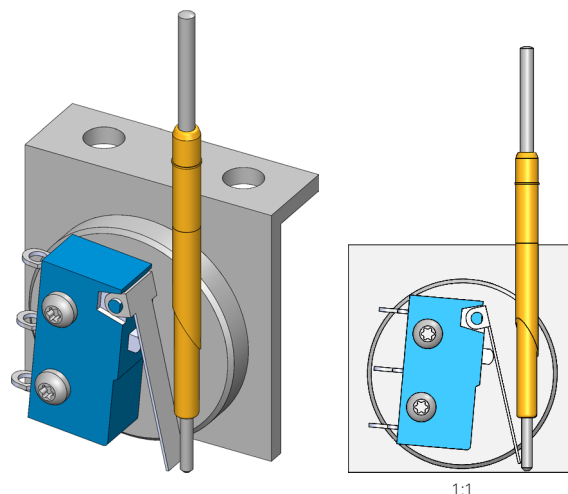
ingun[®]

Partner for Future Technology

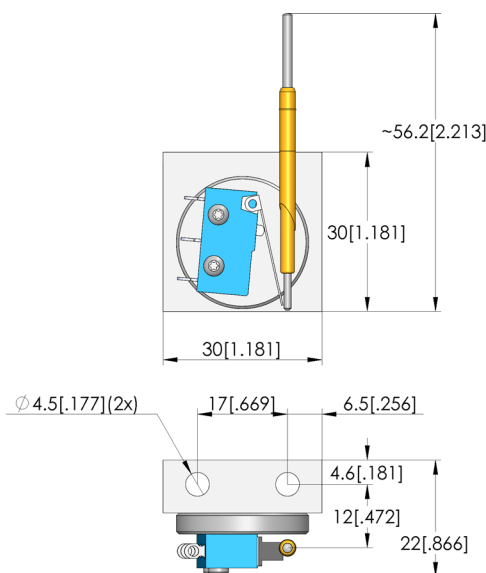
- Detection - PCB contacted
- Reliable status detection
- Quick, easy installation

Application

The module is used to detect if the PCB is contacted.



1:1



General data

Product group:
Series:
Type:
Version:
Accessory type:
Scope of delivery:
Width:
Height:
Weight:
Min. temperature:
Max. temperature:
RoHS-compliant:

Functional units
FB-ATSMAXx
Detection - contacted
Stroke sensor
Additional function
Switch incl. GKS-504-0004
22 mm [.866 in]
56.2 mm [2.21 in]
0.02 kg [.044 lbs]
10 °C [50 °F]
60 °C [140 °F]
Yes

Compatible with

Exchangeable kits version:
Manual test fixtures (MA):
MA exchangeable kits (ATS MA):

No limitations
MA 2012
ATS MAXx

Technical data

Stroke: 11 mm [.433 in]
Connection: Solder eyelet
Force: 1 N [3.59 ozf]
Max. current: 1 A
Installation: Bore D = 4.5 mm
Max. voltage: 12 V
Number of poles: 3
Length: 30 mm [1.18 in]
Outer dimensionS (WxDxH): 22 x 30 x 56.2 mm [.866 x 1.18 x 2.21 in]

INGUN Prüfmittelbau GmbH

Max-Stromeyer-Straße 162
78467, Constance, Germany
Phone +49 7531 8105-0
Customer hotline +49 7531 8105-888
Fax +49 7531 8105-65
info@ingun.com



Prices and delivery times on request.
Technical changes reserved. 06/26_GB

Learn more about
MA functional units

