

# Pneumatic test fixture

## PAZ 215/D/H

Item 18956

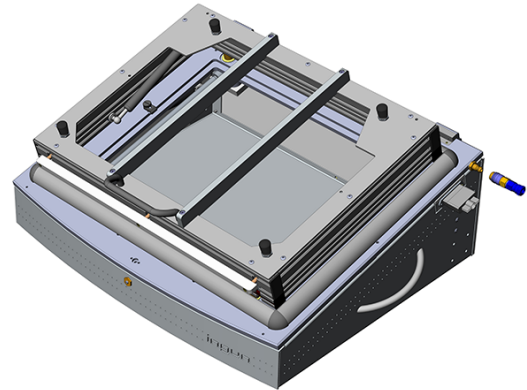


GO TO PRODUCT

**ingun**<sup>®</sup>

Partner for Future Technology

- Pneumatic test fixture with parallel closing drive for testing medium PCB quantities
- Robust, durable test fixture with gear wheel drive
- Standard and ESD exchangeable kits that can be exchanged quickly and without tools
- Increased ease of use without significant closing forces
- Rapid contacting movement



### General data

Test system interface:	Not pre-wired
Product group:	Pneumatic test fixtures (PA)
Main series:	PAZ xxx
Subseries:	PAZ 2xx
Series:	PAZ 215
Size:	215
Test fixture type:	Exchangeable test fixture
Contact stroke generation:	Pneumatic
Housing type:	Desk housing
Max. interface signals:	0
Interface blocks required:	No
Max. internal interface blocks:	0
Contacting direction:	Double-sided (top/bottom)
Max. contact force:	1500 N [5,395 ozf]
Approx. parallel contact stroke:	15 mm [.59 in]
Weight:	16.2 kg [35.7 lbs]
Min. temperature:	10 °C [50 °F]
Max. temperature:	60 °C [140 °F]
Low voltage:	No
ESD-compliant:	No
RoHS-compliant:	No

### Technical data

Test probe installation height, bottom:	10.5 mm [.413 in]
Free space above PCB:	36 mm [1.41 in]
Permissible test voltage:	25 VAC / 60 VDC
Pressure frame opening angle:	60 °
Compressed air supply:	4 – 6 bar [58 – 87 psi]
Standard version:	Yes, with compatible exchangeable kit
Useable area, standard (WxD):	260 x 200 mm [10.2 x 7.87 in]
ESD version:	No
Radio frequency version:	No
Rigid pin version:	No
Dual-stage version:	No
Additional contacting unit (ZSK), top:	Yes, with suitable additional option
Outer dimensions, closed (WxDxH):	648 x 469 x 277 mm [25.5 x 18.4 x 10.9 in]

### INGUN Prüfmittelbau GmbH

Max-Stromeyer-Straße 162  
78467, Constance, Germany  
Phone +49 7531 8105-0  
Customer hotline +49 7531 8105-888  
Fax +49 7531 8105-65  
info@ingun.com



Prices and delivery times on request.  
Technical changes reserved. 05/26\_GB

Learn more about  
Test fixture kits

