

Spare part kit, spring bracket

ETK-GDH-MAxxxx

Item 54791

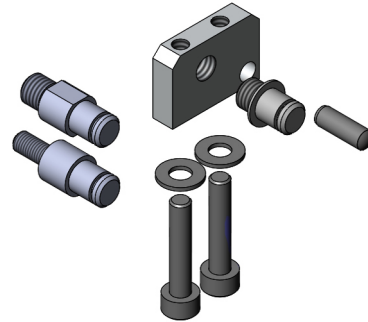


GO TO PRODUCT

ingun[®]

Partner for Future Technology

- Available for each component as kit or individual part including assembly drawing for easy replacement and safe installation
- Quick, easy maintenance
- Easy replacement by operators on site



General data

Product group:
Series:
Type:
Version:
Accessory type:
Scope of delivery:
Material:
Width:
Height:
RoHS-compliant:

Spare part kits
ETK-MAxxxx
Set
Gas spring holder
Spare parts
Unassembled
3.3206
5 mm [.196 in]
15 mm [.59 in]
Yes

Compatible with

Exchangeable kits version:
Manual test fixtures (MA):

No limitations
MA xxxx

Technical data

Length:

22 mm [.866 in]

INGUN Prüfmittelbau GmbH

Max-Stromeyer-Straße 162
78467, Constance, Germany
Phone +49 7531 8105-0
Customer hotline +49 7531 8105-888
Fax +49 7531 8105-65
info@ingun.com



Prices and delivery times on request.
Technical changes reserved. 06/26_GB

Learn more about
Test fixture kits

