

# Flexible receptacle BKS-802 HMTD-2-1VS

Item BKS-802-0003

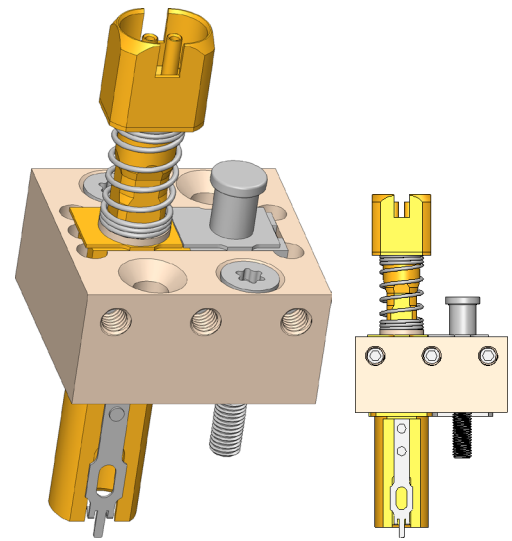


GO TO PRODUCT

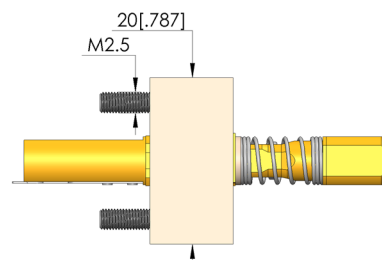
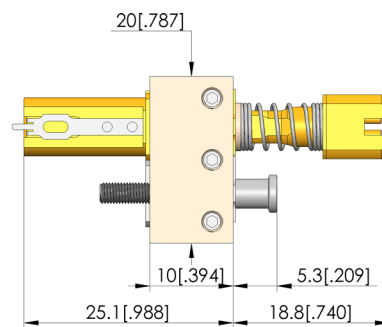
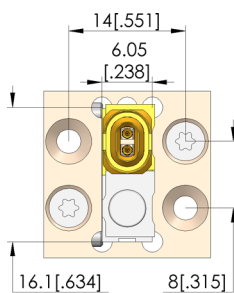
**ingun**<sup>®</sup>

Partner for Future Technology

- Used mainly in future technologies for the automotive market (e.g. autonomous driving)
- Floating mount for HFS-807 radio-frequency probes for FA-KRA mini connectors with centring range:  $\pm 0.6$  mm, angular offset:  $\pm 2^\circ$
- The complete assembly includes the respective number of HFS-807 test probes.
- Cable interface via high-speed SMPM cable SE-FLX405-50SMPMFG050SMAMG
- Easy replacement of the test probes from the DUT side, insert bit for screwing in: BIT-HFS-807 M-B, recommended tightening torque: 20 cNm



1:1



## General data

Product group:  
Series:  
Sub-series:  
RoHS-compliant:

Receptacles (KS)  
KS-802  
KS-802 HMTD clamp version  
Yes

## Mechanical data

Total length:

43.9 mm [1.72 in]

## INGUN Prüfmittelbau GmbH

Max-Stromeyer-Straße 162  
78467, Constance, Germany  
Phone +49 7531 8105-0  
Customer hotline +49 7531 8105-888  
Fax +49 7531 8105-65  
info@ingun.com



Prices and delivery times on request.  
Technical changes reserved. 06/26\_GB

Learn more about  
Test probes

