

Safety switch

FB-SIS-OSA-MAx12

Item 113450



GO TO PRODUCT

ingun®

Partner for Future Technology

- Safety switch provides anti-pinch protection for automatic test fixtures
- Functional unit for individually configurable upgrading (independent, on-site installation)
- Includes detailed installation documentation

Application

Upgrading the manual test fixture with the automatic opener/closer results in potential risks for the operator, which must be minimised using suitable protective devices for safe operation.

To ensure operator safety, the optionally available safety switch unit can be used. This stops the drive thanks to the safety stop function and provides protection against potential injury. Both functional units can be operated using customer controls. We provide a reference design document which illustrates a suggestion for connecting the control system.

Features

- Compatible with other functional units, according to compatibility matrix
- Reference design document which illustrates a suggestion for connecting the automatic opener/closer and the safety switch unit to the control system.

Delivery

The functional unit, which does not include the control system, must be assembled upon delivery using detailed documentation provided. The documentation for the reference design is available to download from our website:

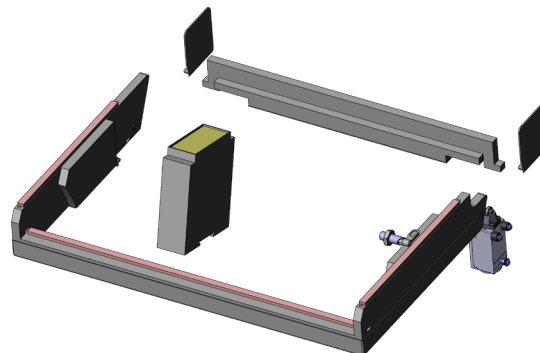
Video

Don't miss our video on our website, which provides information about added values and functionalities.

General data

Product group:	Functional units
Series:	FB-MAxxxx
Type:	Safety strip
Version:	Access protection
Accessory type:	Additional function
Scope of delivery:	Unassembled
Width:	458 mm [18 in]
Height:	67 mm [2.63 in]
Weight:	1.4 kg [3.08 lbs]
Min. temperature:	10 °C [50 °F]
Max. temperature:	60 °C [140 °F]
RoHS-compliant:	Yes

NEW



Note:

Refer to installation instructions INFO 4596 to correctly install the safety switch unit. To install the automatic opener/closer, refer to installation instructions INFO 4595. The reference design as for the control of the NC/NO automatic control and the safety switch unit, can be found in document INFO 4594.

Note:

Note that the manual test fixtures upgraded with the automatic opener/closer must be equipped with appropriate protective devices to ensure safe operation.

Note:

Customers are fully responsible for the professional installation of the functional unit. INGUN cannot accept any liability for damage resulting from incorrect installation, failure to observe the instructions in the documentation provided or failure to operate the test fixture or in a suitable test environment.

Compatible with

Manual test fixtures (MA):	MA xx12
For dual-stage contacting:	No

Technical data

Length:	437 mm [17.2 in]
Outer dimensionS (WxDxH):	458 x 437 x 67 mm [18 x 17.2 x 2.63 in]

FUNCTIONAL UNIT

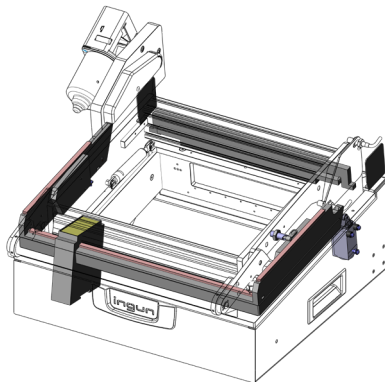
Safety switch FB-SIS-OSA-MAx12

Item 113450



ingun[®]

Partner for Future Technology



Automation components

Part no.	Designation	Version	Compatible with
113401	FB-OSA-E-MA2x11/12	Automatic opener/closer	MA 2x11, MA 2x12

INGUN Prüfmittelbau GmbH

Max-Stromeyer-Straße 162
78467, Constance, Germany
Phone +49 7531 8105-0
Customer hotline +49 7531 8105-888
Fax +49 7531 8105-65
info@ingun.com



Prices and delivery times on request.
Technical changes reserved. 05/26_GB

Learn more about
MA functional units



FUNCTIONAL UNIT

ingun.com