

Flexible receptacle BKS-802 HMTD-4-3VS

Item BKS-802-0001

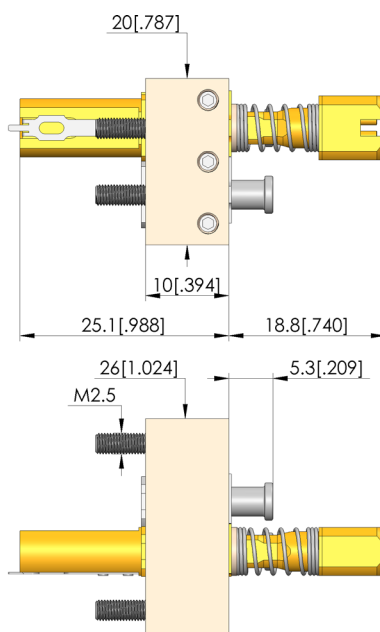
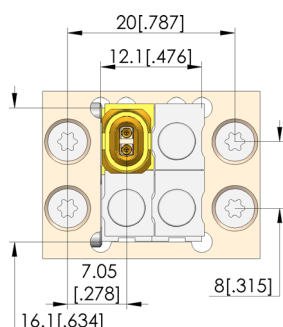
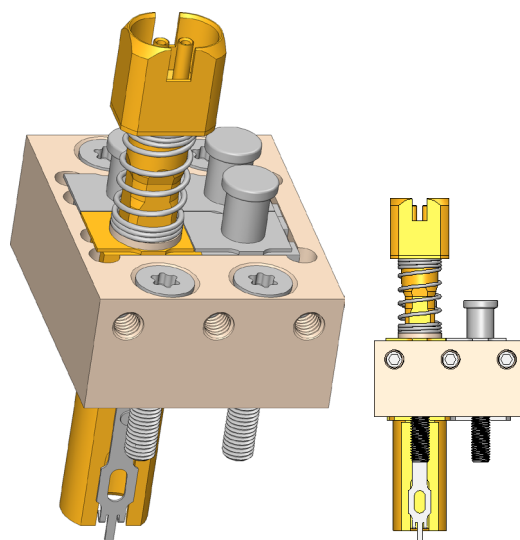


GO TO PRODUCT

ingun[®]

Partner for Future Technology

- Receptacle for HFS-802



General data

Product group:
Series:
Sub-series:
RoHS-compliant:

Mechanical data

Receptacles (KS) Total length: 43.9 mm [1.72 in]
KS-802
KS-802 HMTD clamp version
Yes

INGUN Prüfmittelbau GmbH

Max-Stromeyer-Straße 162
78467, Constance, Germany
Phone +49 7531 8105-0
Customer hotline +49 7531 8105-888
Fax +49 7531 8105-65
info@ingun.com



Prices and delivery times on request.
Technical changes reserved. 06/26_GB

Learn more about
Test probes



ingun.com