

Spare part kit, gas spring

ETK-GDF-700N-MAxxxx

Item 100648

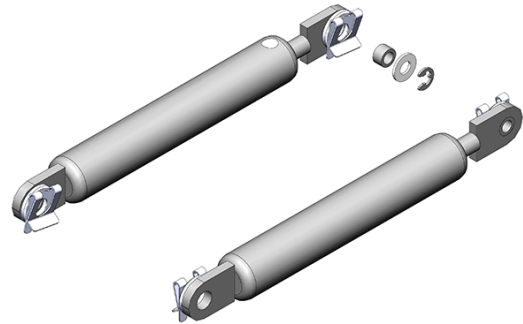


GO TO PRODUCT

ingun[®]

Partner for Future Technology

- Set of shock-absorbing and standard gas spring, incl. customising accessories
- Shock-absorbing gas spring is marked with a white dot and should be mounted on the left side of the test fixture
- Easy replacement by operators on site



General data

Product group:
Series:
Type:
Version:
Accessory type:
Weight:

Spare part kits
ETK-MAxxxx
Set
MA xxxx
Spare parts
0.04 kg [.088 lbs]

Compatible with

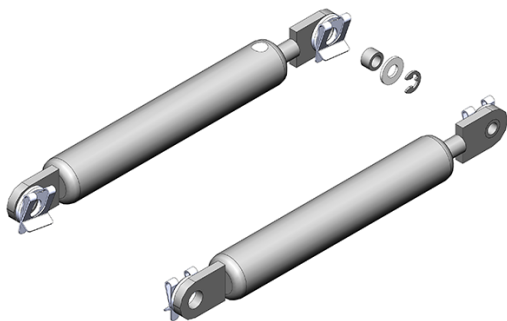
Exchangeable kits version:

No limitations

Technical data

Stroke:
Force:
Length:

60 mm [2.36 in]
700 N [2,517 ozf]
185 mm [7.28 in]



INGUN Prüfmittelbau GmbH

Max-Stromeyer-Straße 162
78467, Constance, Germany
Phone +49 7531 8105-0
Customer hotline +49 7531 8105-888
Fax +49 7531 8105-65
info@ingun.com



Prices and delivery times on request.
Technical changes reserved. 06/26_GB

Learn more about
Test fixture kits

