

Detection DUT correct position

FB-ABF-K-HMK-ASYS

Item 116668



GO TO PRODUCT

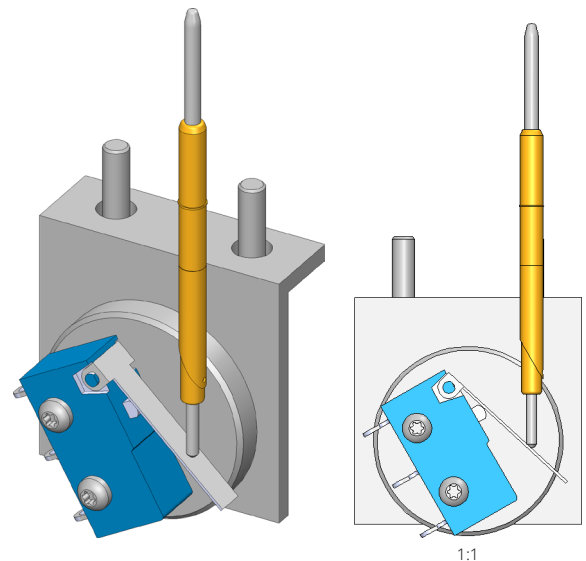
ingun[®]

Partner for Future Technology

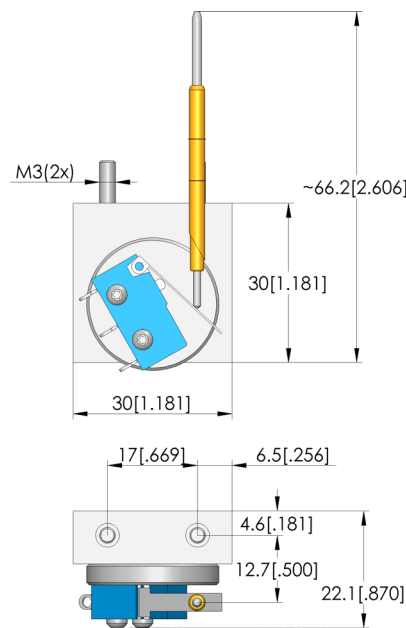
- Detection of PCB - in position
- Functional unit for individually configurable upgrade
- Suitable for inline interchangeable kits WS ASYS/ATH01/173,5 and WS ASYS/ATH01/210,5
- Quick, easy installation on the pressure frame plate

Application

Detection units are used to detect various states and manage essential control tasks. The detection unit is a functional unit for individually configurable upgrade and is used to detect whether the PCB is positioned correctly. It is used with inline interchangeable kits WS ASYS/ATH01/173.5 and WS ASYS/ATH01/210.5.



1:1



General data

Product group:
Series:
Type:
Version:
Accessory type:
Scope of delivery:
accessories included
Width:
Height:
Weight:
Min. temperature:
Max. temperature:
RoHS-compliant:

Functional units
FB-WS
Detection unit
DUT position, stroke sensor
Additional function
Must be installed upon delivery, installation
30 mm [1.18 in]
22.1 mm [.87 in]
0.02 kg [.044 lbs]
10 °C [50 °F]
60 °C [140 °F]
Yes

Compatible with

Interchangeable kits (WS):

WS ASYS/ATH01/...

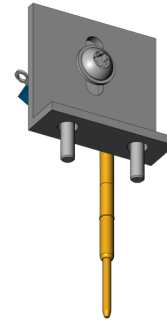
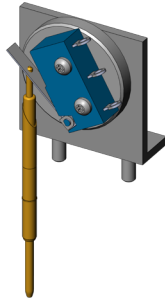
Technical data

Stroke:
Connection:
Force:
Max. current:
Installation:
Max. voltage:
Number of poles:
Length:
Outer dimensionS (WxDxH):

11 mm [.433 in]
Solder eyelet
5 N [17.9 ozf]
1 A
Thread M3
12 V
3
30 mm [1.18 in]
30 x 30 x 22.1 mm [1.18 x 1.18 x .87 in]



GO TO PRODUCT



Inline interchangeable kits

Part no. EN	Designation	Tip version EN
116630	WS ASYS/ATH01/173,5	Interchangeable kit
116641	WS ASYS/ATH01/210,5	Interchangeable kit

INGUN Prüfmittelbau GmbH

Max-Stromeyer-Straße 162
 78467, Constance, Germany
 Phone +49 7531 8105-0
 Customer hotline +49 7531 8105-888
 Fax +49 7531 8105-65
 info@ingun.com



Learn more about
WS functional units

