

# Spare part kit, gas spring

## ETK-GDF-200N-MAxxxx

Item 39200

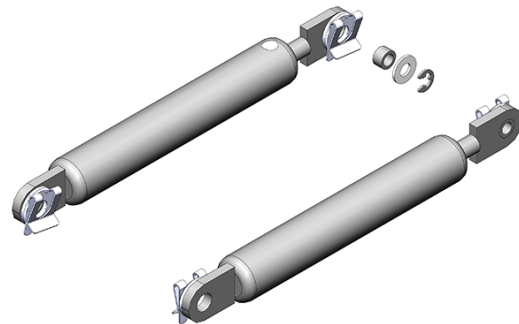


GO TO PRODUCT

**ingun**<sup>®</sup>

Partner for Future Technology

- Set of shock-absorbing and standard gas spring, incl. customising accessories
- Shock-absorbing gas spring is marked with a white dot and should be mounted on the left side of the test fixture
- Easy replacement by operators on site



### General data

Product group:

Series:

Type:

Version:

Accessory type:

Spare part kits

ETK-MAxxxx

Set

MA xx11

Spare parts

### Compatible with

Exchangeable kits version:

No limitations

### Technical data

Stroke:

60 mm [2.36 in]

Force:

200 N [719 ozf]

Length:

185 mm [7.28 in]

### INGUN Prüfmittelbau GmbH

Max-Stromeyer-Straße 162

78467, Constance, Germany

Phone +49 7531 8105-0

Customer hotline +49 7531 8105-888

Fax +49 7531 8105-65

info@ingun.com



Prices and delivery times on request.  
Technical changes reserved. 06/26\_GB

Learn more about  
Test fixture kits

