

# Spare part kit, guide ETK-FUS-12-72-ST-M4

Item 110465

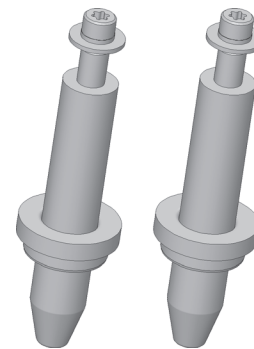


GO TO PRODUCT

**ingun**<sup>®</sup>

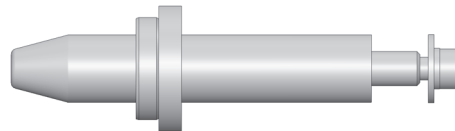
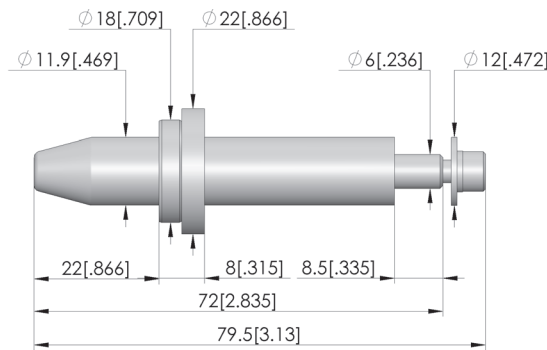
Partner for Future Technology

- Spare parts kit for reliable preventative maintenance
- High-precision guide pins with guide bushes
- Centring accuracy of +/- 0.05 mm
- Precise, low-friction contacting
- Easy exchange



## Application

Spare parts are necessary as part of preventive maintenance, or as soon as components wear out during normal operation and need to be replaced. Guide pins are used in combination with compatible guide bushings for precise, low-friction contacting. This is primarily to minimise the lateral and torsional forces acting on the stroke movement and to ensure reliable, accurate contact.



## General data

Product group:	Spare part kits
Series:	ETK-WS-KS
Type:	Guide pins/guide bushes
Version:	Round with pin (D6 x 8.5)
Accessory type:	Spare parts
Scope of delivery:	Must be installed upon delivery, installation
accessories included	
Material:	1.4305
Weight:	0.14 kg [.308 lbs]
Min. temperature:	10 °C [50 °F]
Max. temperature:	45 °C [113 °F]
RoHS-compliant:	Yes

## Compatible with

Interchangeable kits (WS):

## Technical data

Installation:	Thread M4
Length:	63.5 mm [2.5 in]
Diameter:	11.9 mm [.468 in]

## INGUN Prüfmittelbau GmbH

Max-Stromeyer-Straße 162  
78467, Constance, Germany  
Phone +49 7531 8105-0  
Customer hotline +49 7531 8105-888  
Fax +49 7531 8105-65  
info@ingun.com



Prices and delivery times on request.  
Technical changes reserved. 06/26\_GB

Learn more about  
Inline interchangeable kit

