

# Detection - contacted FB-ABF-K-HMK-VAxxxx

Item 3408-KIT



GO TO PRODUCT

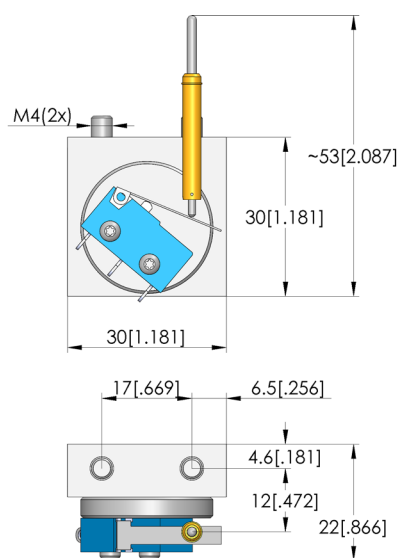
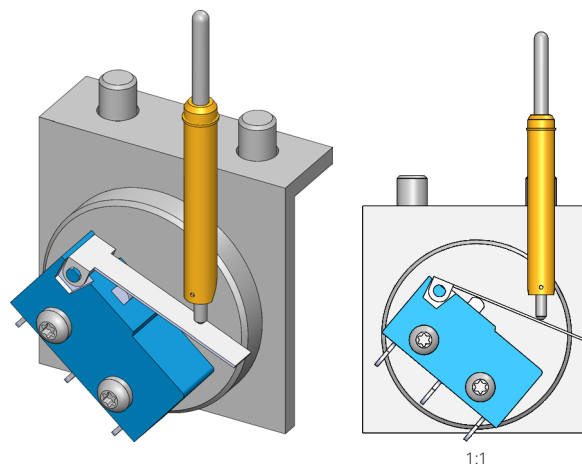
**ingun**<sup>®</sup>

Partner for Future Technology

- Detection - PCB contacted
- Reliable status detection
- Quick, easy installation

## Application

The module is used to detect if the PCB is contacted.



## General data

Product group:  
Series:  
Type:  
Version:  
Accessory type:  
Scope of delivery:  
Width:  
Height:  
Weight:  
Min. temperature:  
Max. temperature:  
RoHS-compliant:

Functional units  
FB-VAxxxx  
Detection - contacted  
Stroke sensor  
Additional function  
Switch incl. GKS-503-0006  
22 mm [.866 in]  
53.2 mm [2.09 in]  
0.02 kg [.044 lbs]  
10 °C [50 °F]  
60 °C [140 °F]  
Yes

## Compatible with

Vacuum test fixtures (VA):

VA 20xx

## Technical data

Stroke: 6 mm [.236 in]  
Connection: Solder eyelet  
Force: 1 N [3.59 ozf]  
Max. current: 1 A  
Installation: M4  
Max. voltage: 12 V  
Number of poles: 3  
Length: 30 mm [1.18 in]  
Outer dimensionS (WxDxH): 22 x 30 x 53.2 mm [.866 x 1.18 x 2.09 in]

Detection - contacted  
**FB-ABF-K-HMK-VAxxxx**

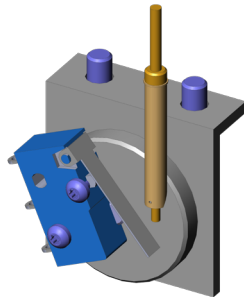
Item 3408-KIT



GO TO PRODUCT

**ingun**<sup>®</sup>

Partner for Future Technology



**INGUN Prüfmittelbau GmbH**

Max-Stromeyer-Straße 162  
78467, Constance, Germany  
Phone +49 7531 8105-0  
Customer hotline +49 7531 8105-888  
Fax +49 7531 8105-65  
info@ingun.com



Prices and delivery times on request.  
Technical changes reserved. 06/26\_GB

Learn more about  
**Test fixture kits**

