

Top interchangeable kit WSO Keysight/i1000D

Item 53910

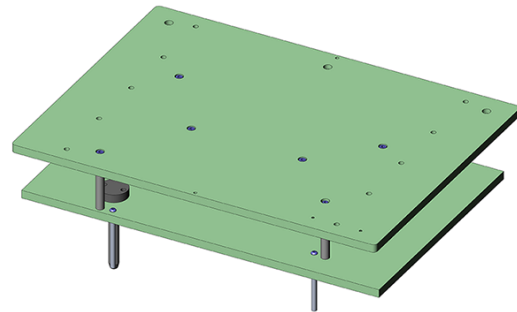


GO TO PRODUCT

ingun[®]

Partner for Future Technology

- Trusted interchangeable kits for Keysight inline test systems
- Precise, reliable contacting with peRFectly configured guides
- Modular design with bottom interchangeable kit (WSU) and top interchangeable kit (WSO)
- Robust, durable design with outstanding service life



General data

| | |
|------------------------|---------------------------------|
| Product group: | Inline interchangeable kit (WS) |
| Subseries: | Keysight i1000D |
| Series: | WS Keysight |
| Version: | With interface |
| Scope of delivery: | Unassembled |
| Dual-stage contacting: | Yes |
| Double-sided contact: | Yes |
| Min. temperature: | 10 °C [50 °F] |
| Max. temperature: | 60 °C [140 °F] |

Technical data

| | |
|---|--|
| Test probe installation height, top: | 16 mm [.629 in] |
| Test probe installation height, bottom: | 13 mm [.511 in] |
| Test probe installation height, dual-stage, top: | 16 mm [.629 in] |
| Test probe installation height, dual-stage, bottom: | 18.3 mm [.72 in] |
| Free space above PCB: | 58 mm [2.28 in] |
| Useable area (WxD): | 390 x 280 mm [15.3 x 11 in] |
| Outer dimensionS (WxDxH): | 459 x 340 x 167 mm [18 x 13.3 x 6.57 in] |

INGUN Prüfmittelbau GmbH

Max-Stromeyer-Straße 162
78467, Constance, Germany
Phone +49 7531 8105-0
Customer hotline +49 7531 8105-888
Fax +49 7531 8105-65
info@ingun.com



Prices and delivery times on request.
Technical changes reserved. 06/26_GB

Learn more about
Inline interchangeable kit

