

# Additional contacting unit

## ZSK-10-VAxx40

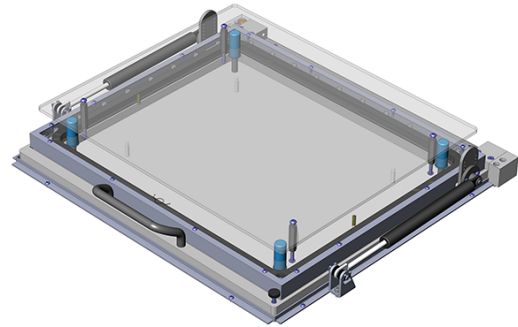
Item 34597



GO TO PRODUCT

**ingun**<sup>®</sup>

Partner for Future Technology



### General data

Product group:  
Series:  
Type:  
Version:  
Accessory type:  
Contact stroke generation:  
Width:  
Height:  
Weight:  
Min. temperature:  
Max. temperature:

Mounted units  
ZSK-VAxxxx  
ZSK-VA-P  
Top single-stage  
Additional function  
Vacuum  
489 mm [19.2 in]  
75 mm [2.95 in]  
5.19 kg [11.4 lbs]  
10 °C [50 °F]  
60 °C [140 °F]

### Compatible with

Exchangeable kits version:

No limitations

### Technical data

Parallel stroke: 10 mm [.393 in]  
Pushrod length: 15 mm [.59 in]  
Test probe installation height, top: 10.5 mm [.413 in]  
Free space above PCB: 5 mm [.196 in]  
Pressure frame opening angle: 85 °  
Useable area (WxD): 325 x 300 mm [12.7 x 11.8 in]  
Length: 434 mm [17 in]  
Outer dimensionS (WxDxH): 489 x 434 x 75 mm [19.2 x 17 x 2.95 in]

### INGUN Prüfmittelbau GmbH

Max-Stromeyer-Straße 162  
78467, Constance, Germany  
Phone +49 7531 8105-0  
Customer hotline +49 7531 8105-888  
Fax +49 7531 8105-65  
info@ingun.com



Prices and delivery times on request.  
Technical changes reserved. 05/26\_GB

Learn more about  
Test fixture kits

