

Back panel

FB-RWA-MA260

Item 51703

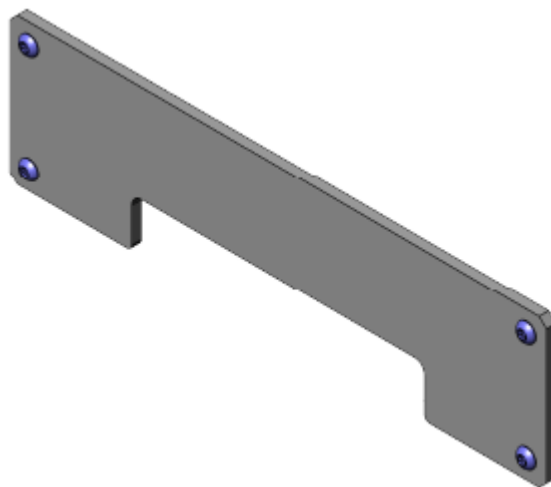


GO TO PRODUCT

ingun®

Partner for Future Technology

- Upgrade kits to make operation easier, increase the testing reliability, and to reduce handling times
- Available for manual test fixtures and exchangeable kits
- Wide range of varying functions



General data

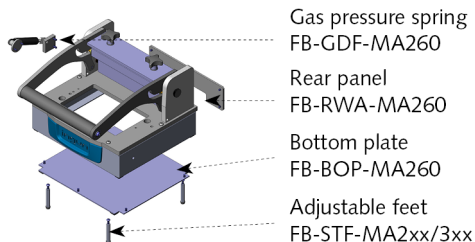
Product group:	Functional units
Series:	FB-MAxxx
Type:	Opening 120 x 20 mm
Version:	Rear panel
Accessory type:	Additional function
Scope of delivery:	Unassembled
Material:	Adaptonit 105-AS
Width:	60 mm [2.36 in]
Height:	4 mm [.157 in]
RoHS-compliant:	Yes

Compatible with

Exchangeable kits version:	No limitations
Manual test fixtures (MA):	MA 260

Technical data

Installation:	Screw, M4
Length:	220 mm [8.66 in]
Outer dimensionS (WxDxH):	60 x 220 x 4 mm [2.36 x 8.66 x .157 in]



INGUN Prüfmittelbau GmbH

Max-Stromeyer-Straße 162
78467, Constance, Germany
Phone +49 7531 8105-0
Customer hotline +49 7531 8105-888
Fax +49 7531 8105-65
info@ingun.com



Prices and delivery times on request.
Technical changes reserved. 05/26_GB

Learn more about
MA functional units



FUNCTIONAL UNIT

ingun.com