

Battery contacting probe

BCP-655 360 1800 A 100004M-53

Item BCP-655-0003

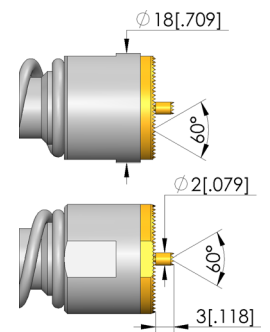
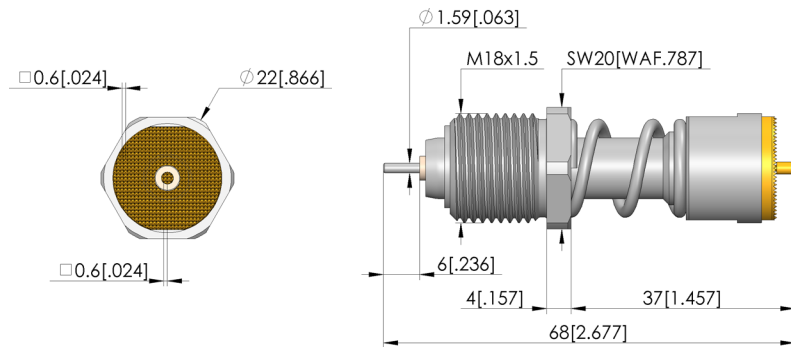
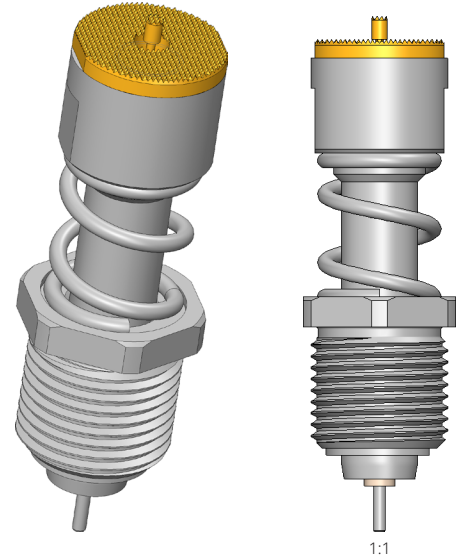
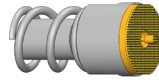


GO TO PRODUCT

ingun®

Partner for Future Technology

- Contacting solution for cylindrical cells (46xx) and prismatic as well blade cells, Battery Modules and -Packs
- Current rating upto 120 A on Al DUT with temperaturer rise $dT \leq 20$ K ; max. current rating of 300 A on high conducting materials like copper alloys
- Designed for a range of cell contacting applications such as Formation, Charging and DC-IR measurement
- Low-resistance contact probe with R_i typical < 0.5 m Ω
- Simple installation by screwing directly into the busbar; no wiring required.
- Dipole Design provided with measuring contact for precise voltage measurements
- Easy connection of the voltage sensor: both soldering and cable lug installation possible



Battery contacting probe

BCP-655 360 1800 A 100004M-53

Item BCP-655-0003



GO TO PRODUCT

ingun®

Partner for Future Technology

General data

Screw-in torque max.:	2,000 cNm [177 lbf-in]
Product group:	Dipole BCP / 4-wire clamp
Sub-product group:	Dipole BCP / 4-wire clamp
Series:	BCP-655 M screw-in
Application rec.:	
Grid:	30 mm [1,181 mil]
DUT / contact:	
Magnetic:	Yes
Installation type:	Screw-in
Quick-exchange system:	No
Type of test probe connection:	Thread connection
Adjustable installation height:	No
Non-rotating:	No
Min. temperature:	-40 °C [-40 °F]
Max. temperature:	80 °C [176 °F]
RoHS-compliant:	Yes

Tip style data

Tip style:	60 serrated, small grid
Tip diameter:	18 mm [.708 in]
Tip style surface:	A gold
Tip style material:	3 CuBe

Electrical data

Current load capacity / rated current:	300 A
Rated current on copper @ $\Delta T \leq 20$ K:	150 A
Rated current on copper @ $\Delta T \leq 60$ K:	300 A
Rated current on aluminium @ $\Delta T \leq 20$ K:	120 A
Rated current on aluminium @ $\Delta T \leq 60$ K:	180 A
Typical resistance (Ri):	1 mOhm

Mechanical data

Total length:	68 mm [2.67 in]
Barrel diameter:	18 mm [.708 in]
Maximum stroke:	7 mm [.275 in]
Spring pre-load:	47.62 N [171 ozf]
Collar height:	04
Spring force at working stroke:	100 N [359 ozf]
Recommended working stroke:	4.4 mm [.173 in]

INGUN Prüfmittelbau GmbH

Max-Stromeyer-Straße 162
78467, Constance, Germany
Phone +49 7531 8105-0
Customer hotline +49 7531 8105-888
Fax +49 7531 8105-65
info@ingun.com



Prices and delivery times on request.
Technical changes reserved. 06/26_GB

Learn more about
Test probes

