

Radio-frequency probe

HFS-856 305 030 A 5543MM8030-H

Item HFS-856-0022

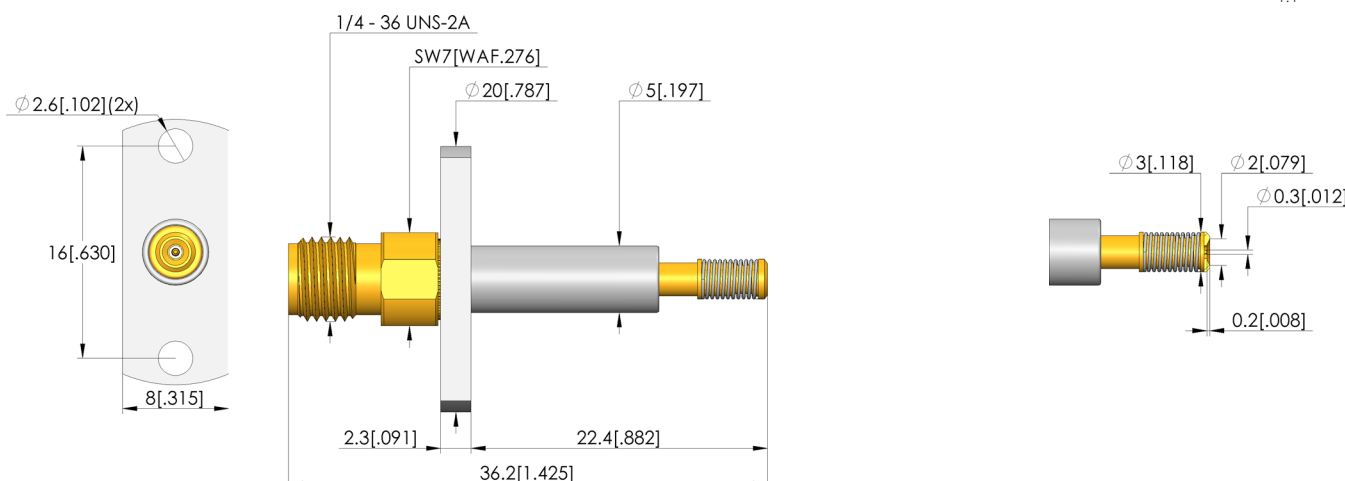
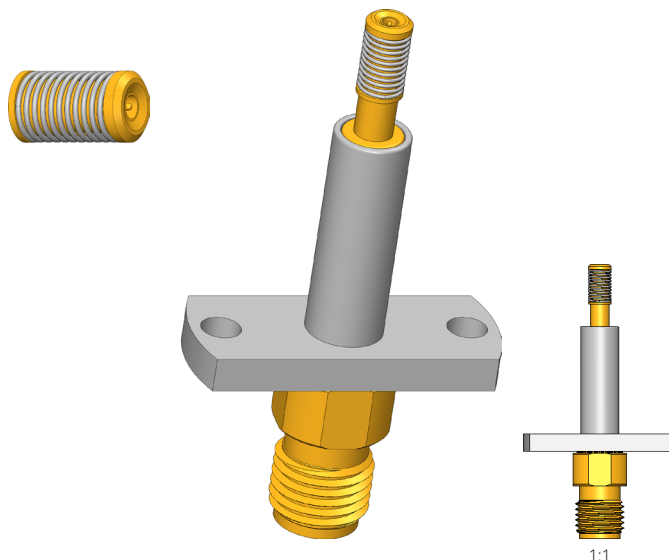


GO TO PRODUCT

ingun[®]

Partner for Future Technology

- For contacting plug connectors, micro-connectors micro-switches
- Up to 12 GHz
- Cable interface SMA
- Installation via flange mounting



General data

Product group:	HFS radio-frequency test probes
Series:	HFS-856
Sub-series:	HFS-856
Grid:	10 mm [393 mil]
DUT / contact:	MM8030
Installation type:	Flange
Floating mount:	Yes
Non-rotating:	No
Continuous plunger:	Yes
Interface of compatible assembly:	SMA 50 Ohm
Compatible assembly interface gender:	M signal conductor male / pin
Recommended torque at interface:	45 cNm [3.98 lbf·in]
Min. temperature:	-40 °C [-40 °F]
Max. temperature:	80 °C [176 °F]
RoHS-compliant:	Yes

Outer conductor data

Outer conductor tip style:	43 centring for outer side of connector
Outer conductor tip style diameter:	3 mm [.118 in]
Spring force of entire outer conductor at working stroke:	4 N [14.3 ozf]
Outer conductor working stroke:	4.2 mm [.165 in]
Outer conductor maximum stroke:	5.2 mm [.204 in]
Exchangeable outer conductor:	No
Outer conductor max. current load capacity:	3 A

Inner conductor data

Inner conductor tip style:	05 bullet-nosed (full radius)
Inner conductor tip style diameter:	0.3 mm [.011 in]
Inner conductor tip style material:	3 CuBe
Inner conductor tip style surface:	A gold
Number of inner conductors:	1
Exchangeable inner conductor:	No
Inner conductor working stroke:	0.8 mm [.031 in]
Spring force of each inner conductor at working stroke:	1.5 N [5.39 ozf]
Inner conductor maximum stroke:	2 mm [.078 in]
Inner conductor max. current load capacity:	2 A

RADIO-FREQUENCY TEST PROBES

Radio-frequency probe

HFS-856 305 030 A 5543MM8030-H

Item HFS-856-0022



GO TO PRODUCT

ingun[®]

Partner for Future Technology

Electrical data

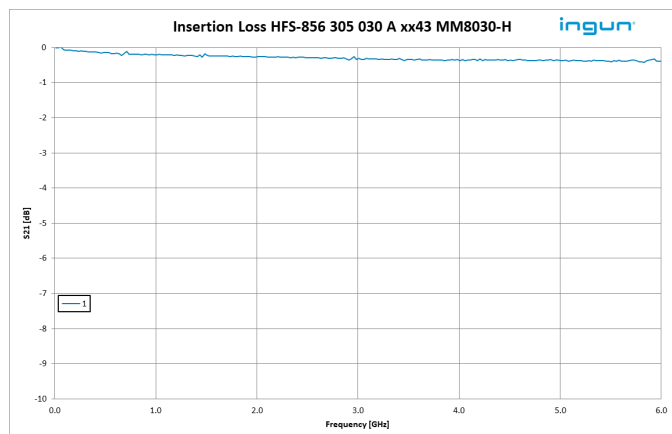
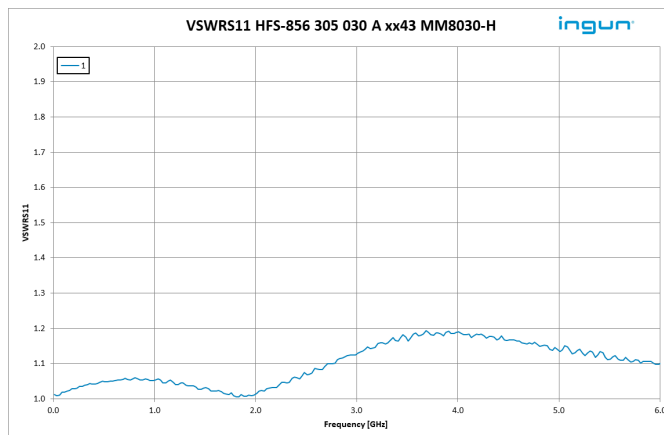
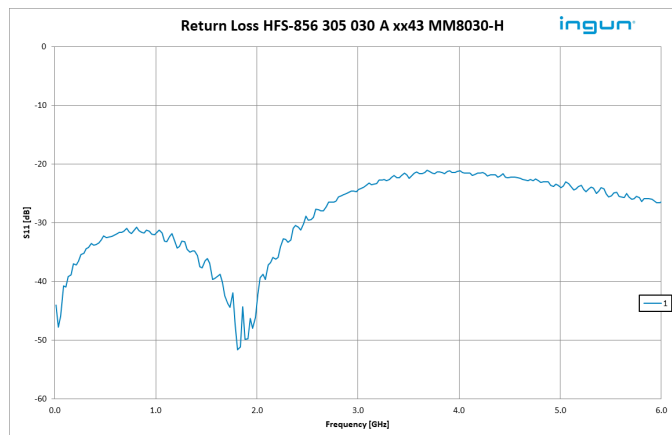
Frequency range up to:
Impedance:

6 GHz
50 Ohm

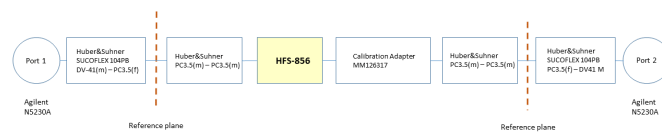
Mechanical data

Total spring force at working stroke:
Total length:
Barrel diameter:
Installation height without receptacle:

5.5 N [19.7 ozf]
36.2 mm [1.42 in]
5 mm [.196 in]
22.4 mm [.881 in]



HFS-856 305 030 A 5543MM8030 H, RF measurement setup



INGUN Prüfmittelbau GmbH

Max-Stromeyer-Straße 162
78467, Constance, Germany
Phone +49 7531 8105-0
Customer hotline +49 7531 8105-888
Fax +49 7531 8105-65
info@ingun.com



Prices and delivery times on request.
Technical changes reserved. 06/26_GB

Learn more about
Radio-frequency test probes



ingun.com