

Actuator safety switch, magnet

FB-BTM-ATSMAXx

Item 41552

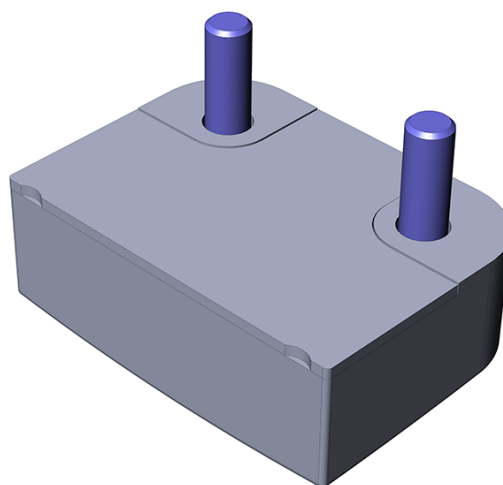


GO TO PRODUCT

ingun[®]

Partner for Future Technology

- Upgrade kits to make operation easier, increase the testing reliability, and to reduce handling times
- Available for manual test fixtures and exchangeable kits
- Wide range of varying functions



General data

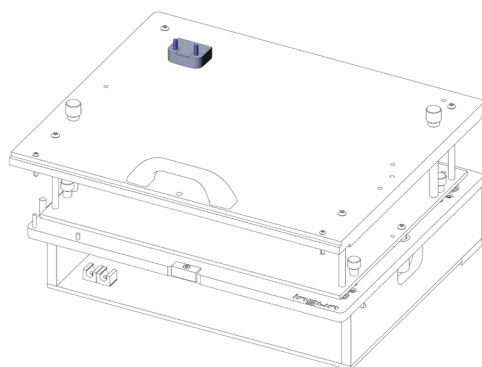
| | |
|-------------------|--------------------------|
| Product group: | Safety switch / actuator |
| Series: | FB-ATSMAXx |
| Type: | Magnetic |
| Version: | Contactless |
| Accessory type: | Additional function |
| Width: | 36 mm [1.41 in] |
| Height: | 13 mm [.511 in] |
| Min. temperature: | -25 °C [-13 °F] |
| Max. temperature: | 70 °C [158 °F] |
| RoHS-compliant: | Yes |

Compatible with

| | |
|--------------------------------|----------|
| Exchangeable kits version: | No RF |
| MA exchangeable kits (ATS MA): | ATS MAXx |

Technical data

| | |
|---------------------------|---|
| Length: | 26 mm [1.02 in] |
| Outer dimensionS (WxDxH): | 36 x 26 x 13 mm [1.41 x 1.02 x .511 in] |



INGUN Prüfmittelbau GmbH

Max-Stromeyer-Straße 162
78467, Constance, Germany
Phone +49 7531 8105-0
Customer hotline +49 7531 8105-888
Fax +49 7531 8105-65
info@ingun.com



Prices and delivery times on request.
Technical changes reserved. 05/26_GB

Learn more about
MA functional units



FUNCTIONAL UNIT

ingun.com