

High-current test probe

HSS-120 353 300 S 3002

Item HSS-120-0371

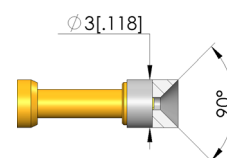
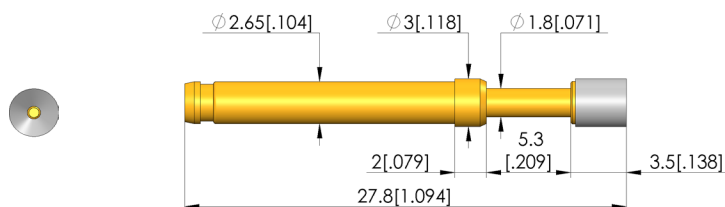
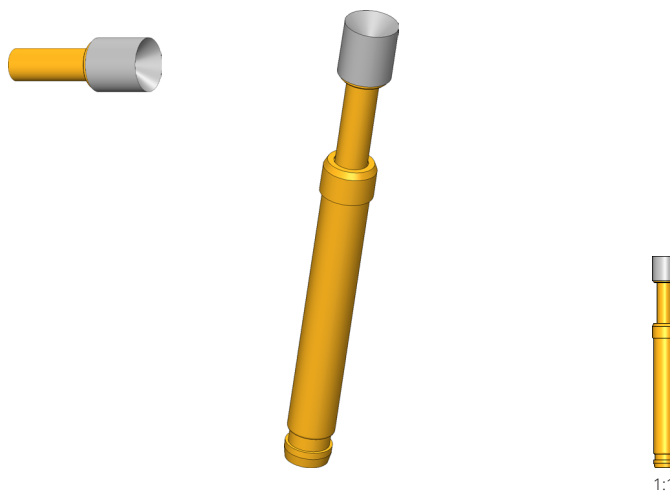


GO TO PRODUCT

ingun[®]

Partner for Future Technology

- Trusted, robust high-current probes, optimally sized for current load capacity ratio
- Low-resistance contact probe with R_i typical < 10 m Ω
- For use in function and burn-in tests
- Large selection of tip styles and spring forces for optimum contact with DUT
- Optimum adjustment of the stroke ratios in the test fixture: The test probe collar is available in different heights, which, in combination with the receptacles, allows a range of installation heights



General data

Product group:	Standard HSS (press-in)
Sub-product group:	Standard HSS (press-in)
Series:	HSS-120
Grid:	4 mm [157 mil]
Contacting from:	Post
Magnetic:	Yes
Installation type:	Plug-in
Quick-exchange system:	Yes
Adjustable installation height:	No
Non-rotating:	No
Compatible receptacle(s):	KS-113
Min. temperature:	-100 °C [-148 °F]
Max. temperature:	200 °C [392 °F]
RoHS-compliant:	Yes

Tip style data

Tip style:	53 inverse cone, special length
Tip diameter:	3 mm [.118 in]
Tip style surface:	S silver
Tip style material:	3 CuBe

Electrical data

Current load capacity / rated current:	30 A
Typical resistance (R_i):	10 m Ω

Mechanical data

Total length:	27.8 mm [1.09 in]
Barrel diameter:	2.65 mm [.104 in]
Maximum stroke:	5.3 mm [.208 in]
Spring pre-load:	0.71 N [2.55 ozf]
Collar height:	02
Spring force at working stroke:	3 N [10.7 ozf]
Recommended working stroke:	4 mm [.157 in]

INGUN Prüfmittelbau GmbH

Max-Stromeyer-Straße 162
78467, Constance, Germany
Phone +49 7531 8105-0
Customer hotline +49 7531 8105-888
Fax +49 7531 8105-65
info@ingun.com



Prices and delivery times on request.
Technical changes reserved. 06/26_GB

Learn more about
High-current test probes



HIGH-CURRENT TEST PROBES

ingun.com