

Interface block

SB-T-SI-040-4A-N-Z

Item 44226



GO TO PRODUCT

ingun[®]

Partner for Future Technology

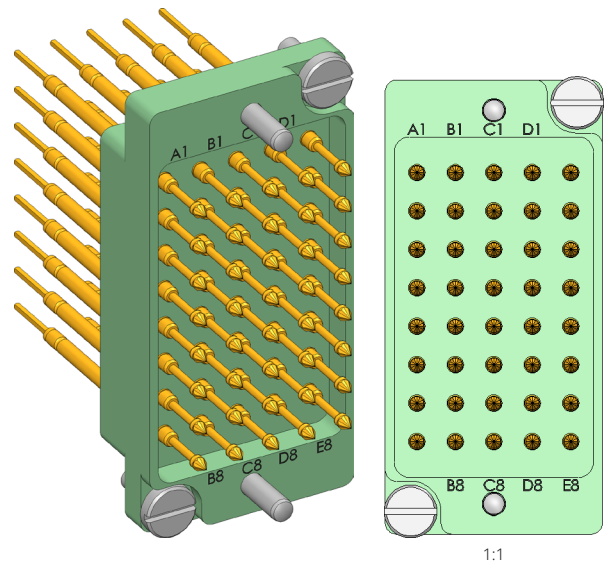
- Equipped with INGUN test probes
- Uniformly parallel wire-wrap posts
- Suitable for test fixtures with internal or external Pylon interface
- Consistently low contact resistances and replicable measured values
- High contact reliability and transmission quality
- Reliable transmission of low voltage signals
- Pre-assembled plug connectors as connection accessories

Application

Interface blocks (SB) are used to reliably transmit signals between test device and test system in internal and external Pylon interfaces. Signal blocks are suitable for the reliable transmission of low-voltage signals and hazardous voltages within the scope of their specification.

Signal transmission

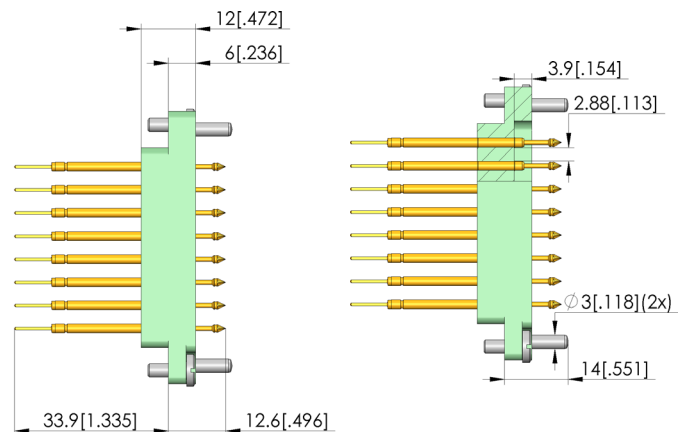
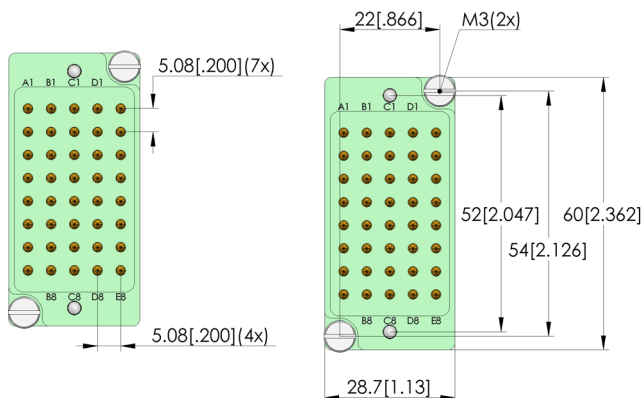
The signal is transmitted via two opposing interface blocks, which are designed for a working distance of 15.1 ± 0.5 mm between their mounting surfaces.



1:1

Delivery

The product is delivered fully assembled including the installation accessories.



General data

| | |
|---------------------|-------------------------|
| Product group: | Interface blocks (SB) |
| Series: | SB-SI |
| Type: | Signal block |
| Version: | Test system side |
| Accessory type: | Customising accessories |
| Component assembly: | HSS-118-0406 & KS-11247 |
| Weight: | 0.03 kg [0.066 lbs] |
| Min. temperature: | -30 °C [-22 °F] |
| Max. temperature: | 80 °C [176 °F] |
| RoHS-compliant: | Yes |

Electrical data

| | |
|-------------------------------------|---------|
| Typical resistance (Ri) of one GKS: | 10 mOhm |
|-------------------------------------|---------|

Compatible with

| | |
|----------------------------|----------------------|
| Compatible mating part 1: | SB-P-SI-040-4A-0,6-Z |
| Manual test fixtures (MA): | MA 21xx |
| Pylon receiver: | RC-PYLON-12-V2 |

Technical data

| | |
|---------------------------|--|
| Working distance: | 15,1 +/- 0,5 mm |
| Centring pin: | +/- 0,3 mm |
| Connection: | Wire-wrap posts |
| GKS working stroke : | 4 mm [0.157 in] |
| Air distance (not wired): | 2.88 mm [0.113 in] |
| Spring force: | 44 N [158 ozf] |
| Max. current of one GKS: | 4 A |
| Max. current of all GKS: | 3 A |
| Max. voltage: | 2,300 V |
| Max. power loss: | 7.5 W |
| Min. line cross-section: | 0.25 mm ² [0.0038 in ²] |

Interface block

SB-T-SI-040-4A-N-Z

Item 44226



ingun[®]

Partner for Future Technology

Accessories

| Part no. | Designation | Version |
|-----------------|-------------------------------|--|
| Connector cable | | |
| 115179 | ASK-BL17-F-G-0700-AWG26-GE | 17 pole, 1x socket strip, yellow, pin-1 brown, 700 mm long |
| 115181 | ASK-BL17-F-G-0700-AWG26-GN | 17 pole, 1x socket strip, green, pin-1 brown, 700 mm long |
| 115178 | ASK-BL17-F-G-0700-AWG26-SW | 17 pole, 1x socket strip, black, pin-1 brown, 700 mm long |
| 115180 | ASK-BL17-F-G-0700-AWG26-RT | 17 pole, 1x socket strip, red, pin-1 brown, 700 mm long |
| 115184 | ASK-BL17-F-G-0400-BL17-F-G-GE | 17 pole, 2x socket strip, yellow, pin-1 brown, 400 mm long |
| 115186 | ASK-BL17-F-G-0400-BL17-F-G-GN | 17 pole, 2x socket strip, green, pin-1 brown, 400 mm long |
| 115183 | ASK-BL17-F-G-0400-BL17-F-G-SW | 17 pole, 2x socket strip, black, pin-1 brown, 400 mm long |
| 115185 | ASK-BL17-F-G-0400-BL17-F-G-RT | 17 pole, 2x socket strip, red, pin-1 brown, 400 mm long |

INGUN Prüfmittelbau GmbH

Max-Stromeyer-Straße 162
78467, Constance, Germany
Phone +49 7531 8105-0
Customer hotline +49 7531 8105-888
Fax +49 7531 8105-65
info@ingun.com



Prices and delivery times on request.
Technical changes reserved. 06/26_GB