

# Pneumatic test fixture

## PAZ 400/D/H

Item 28489

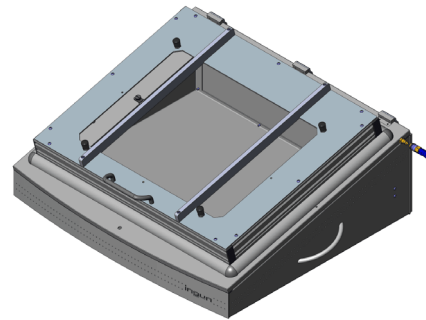


GO TO PRODUCT

**ingun**<sup>®</sup>

Partner for Future Technology

- Pneumatic test fixture with parallel closing drive for testing medium PCB quantities
- Robust, durable test fixture with gear wheel drive
- Standard and ESD exchangeable kits that can be exchanged quickly and without tools
- Increased ease of use without significant closing forces
- Rapid contacting movement



### General data

Test system interface:	Not pre-wired
Product group:	Pneumatic test fixtures (PA)
Main series:	PAZ xxx
Subseries:	PAZ 4xx
Series:	PAZ 400
Size:	400
Test fixture type:	Exchangeable test fixture
Contact stroke generation:	Pneumatic
Housing type:	Desk housing
Max. interface signals:	0
Interface blocks required:	No
Max. internal interface blocks:	0
Contacting direction:	Single-sided (bottom)
Max. contact force:	1500 N [5,395 ozf]
Approx. parallel contact stroke:	15 mm [.59 in]
Weight:	25.6 kg [56.4 lbs]
Min. temperature:	10 °C [50 °F]
Max. temperature:	60 °C [140 °F]
Low voltage:	No
ESD-compliant:	No
RoHS-compliant:	Yes

### Technical data

Pushrod length:	36.4 mm [1.43 in]
Test probe installation height, bottom:	10.5 mm [.413 in]
Free space above PCB:	36 mm [1.41 in]
Permissible test voltage:	25 VAC / 60 VDC
Pressure frame opening angle:	60 °
Compressed air supply:	4 – 6 bar [58 – 87 psi]
Standard version:	Yes, with compatible exchangeable kit
Useable area, standard (WxD):	350 x 250 mm [13.7 x 9.84 in]
ESD version:	No
Radio frequency version:	No
Rigid pin version:	No
Dual-stage version:	No
Additional contacting unit (ZSK), top:	No
Outer dimensions, closed (WxDxH):	768 x 604 x 300 mm [30.2 x 23.7 x 11.8 in]

### INGUN Prüfmittelbau GmbH

Max-Stromeyer-Straße 162  
78467, Constance, Germany  
Phone +49 7531 8105-0  
Customer hotline +49 7531 8105-888  
Fax +49 7531 8105-65  
info@ingun.com



Prices and delivery times on request.  
Technical changes reserved. 05/26\_GB

Learn more about  
Test fixture kits

