

Coding and signal block

FB-KSB-048-WS-KS-i3070-5i

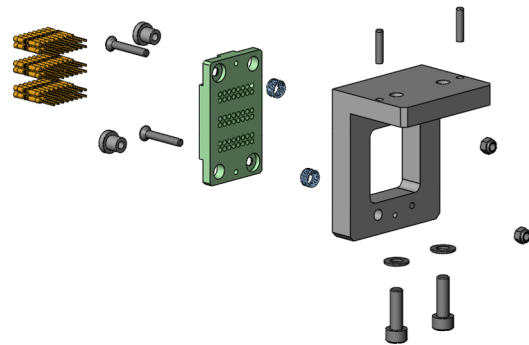
Item 48149



GO TO PRODUCT

ingun[®]

Partner for Future Technology



General data

Product group:	Functional units
Series:	FB-WS
Type:	Coding and signal block
Version:	Keysight
Accessory type:	Additional function
Scope of delivery:	Fully loaded with KT-254 W3 E02
Max. interface signals:	48
Width:	50 mm [1.96 in]
Height:	60 mm [2.36 in]
Min. temperature:	10 °C [50 °F]
Max. temperature:	60 °C [140 °F]
RoHS-compliant:	Yes

Compatible with

Exchangeable kits version:	No limitations
Interchangeable kits (WS):	

Technical data

Installation:	Thread M5
Length:	48.5 mm [1.9 in]
Outer dimensionS (WxDxH):	50 x 48.5 x 60 mm [1.96 x 1.9 x 2.36 in]

INGUN Prüfmittelbau GmbH

Max-Stromeyer-Straße 162
78467, Constance, Germany
Phone +49 7531 8105-0
Customer hotline +49 7531 8105-888
Fax +49 7531 8105-65
info@ingun.com



Prices and delivery times on request.
Technical changes reserved. 06/26_GB

Learn more about
WS functional units

