

Receptacle, 4 probe version

KS-802 HMTD-4

Item KS-802HMTD-4

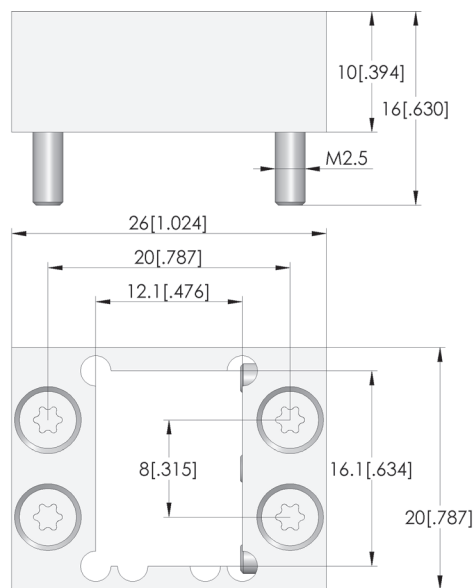
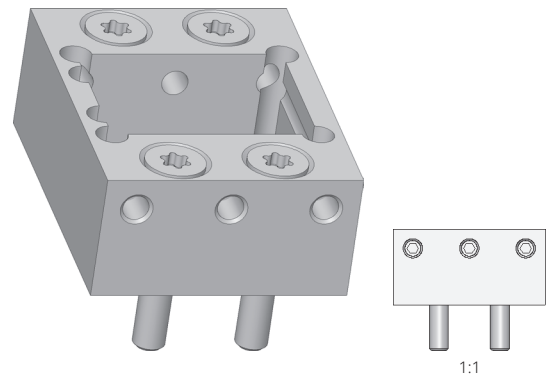


GO TO PRODUCT

ingun[®]

Partner for Future Technology

- Receptacle for HFS-802



General data

Product group:
Series:
Sub-series:
RoHS-compliant:

Receptacles (KS) KS-802
KS-802 HMTD clamp version
Yes

Mechanical data

Total length:

10 mm [.393 in]

INGUN Prüfmittelbau GmbH

Max-Stromeyer-Straße 162
78467, Constance, Germany
Phone +49 7531 8105-0
Customer hotline +49 7531 8105-888
Fax +49 7531 8105-65
info@ingun.com



Prices and delivery times on request.
Technical changes reserved. 06/26_GB

Learn more about
Test probes

