

Receptacle, 6 probe version

KS-802 HMTD-6

Item KS-802-0001



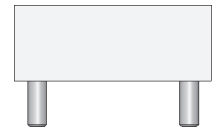
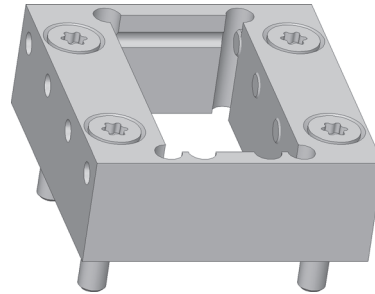
GO TO PRODUCT

ingun[®]

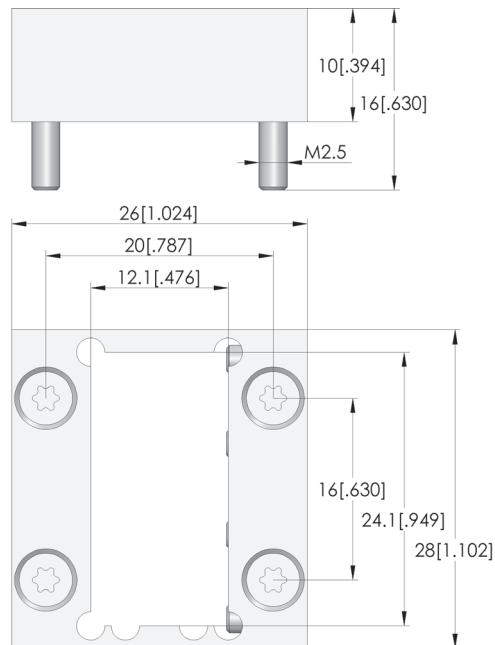
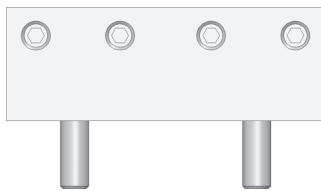
Partner for Future Technology

- Installation space for HFS-802 H-MTD test probe
- Installation of 6 test probes für Rosenberger H-MTD® six-socket connectors
- Interface via H-MTD cable

NEW



1:1



General data

Product group:

Series:

Sub-series:

RoHS-compliant:

Receptacles (KS)
KS-802
KS-802 HMTD clamp version
Yes

Mechanical data

Total length:

10 mm [.393 in]

Receptacle, 6 probe version

KS-802 HMTD-6

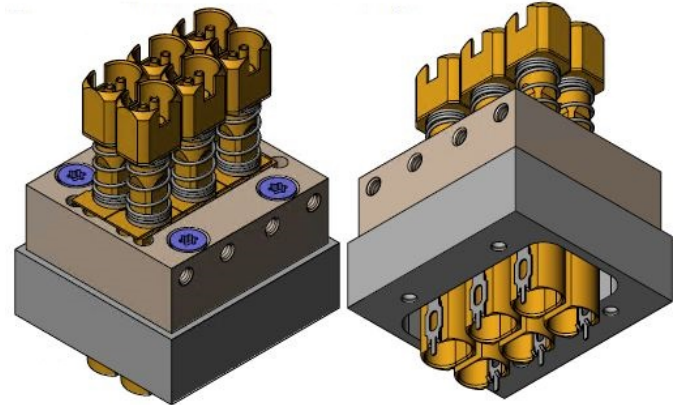
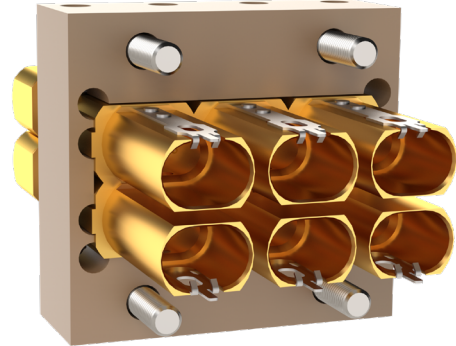
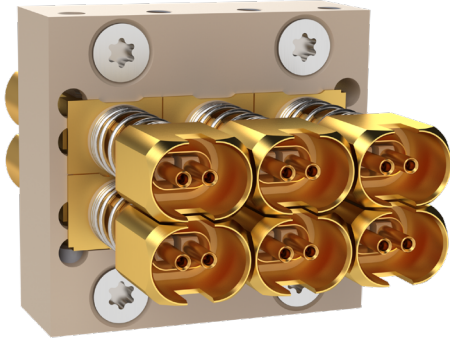
Item KS-802-0001



GO TO PRODUCT

ingun[®]

Partner for Future Technology



INGUN Prüfmittelbau GmbH

Max-Stromeyer-Straße 162
78467, Constance, Germany
Phone +49 7531 8105-0
Customer hotline +49 7531 8105-888
Fax +49 7531 8105-65
info@ingun.com



Prices and delivery times on request.
Technical changes reserved. 06/26_GB

Learn more about
Test probes



ingun.com