

# Safety switch

## FB-SIS-ZSO-MA2xxx

Item 36210



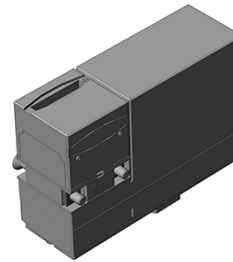
GO TO PRODUCT

**ingun**<sup>®</sup>

Partner for Future Technology

- Safety switch with solenoid interlock NO - normally open
- For safety-relevant test fixture locking units that lock under voltage

**INGUN SELECTION**



### General data

Product group:	Safety switch / actuator
Series:	FB-MAxxxx
Type:	Safety switch
Version:	With NC guard locking
Accessory type:	Additional function
Scope of delivery:	Must be installed upon delivery, installation
accessories included	
Width:	30 mm [1.18 in]
Height:	69 mm [2.71 in]
Min. temperature:	-25 °C [-13 °F]
Max. temperature:	60 °C [140 °F]
RoHS-compliant:	Yes

### Compatible with

Exchangeable kits version:	No limitations
Manual test fixtures (MA):	MA xxxx

### Technical data

Connection:	Cable
Current rating:	4 A
Length:	90 mm [3.54 in]
Outer dimensionS (WxDxH):	30 x 90 x 69 mm [1.18 x 3.54 x 2.71 in]

FUNCTIONAL UNIT

Safety switch

**FB-SIS-ZSO-MA2xxx**

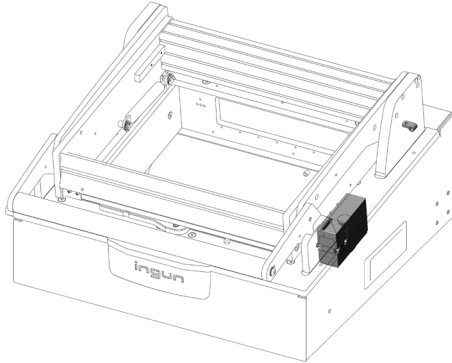
Item 36210



GO TO PRODUCT

**ingun**<sup>®</sup>

Partner for Future Technology



**INGUN Prüfmittelbau GmbH**

Max-Stromeyer-Straße 162  
78467, Constance, Germany  
Phone +49 7531 8105-0  
Customer hotline +49 7531 8105-888  
Fax +49 7531 8105-65  
info@ingun.com



Prices and delivery times on request.  
Technical changes reserved. 07/26\_GB

Learn more about  
MA functional units



FUNCTIONAL UNIT

ingun.com