

Test plug PS-HDMI-019

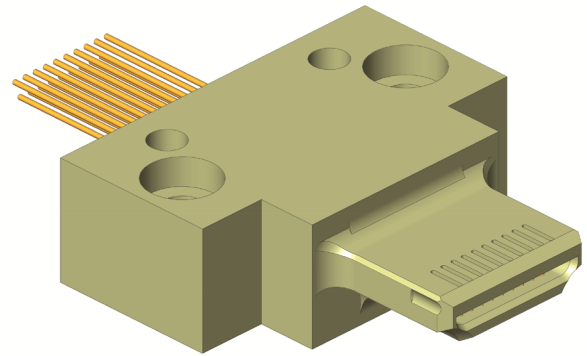
Item 34814



ingun[®]

Partner for Future Technology

- Precise, low-wear contacting of HDMI plug connectors
- Outstanding service life, up to 100,000 cycles under optimal conditions, depending on the version.
- Installation via floating mount recommended
- Signal transmission via solder connection



General data

| | |
|------------------------|------------------------------------|
| Product group: | PS test plug |
| Series: | PS |
| Sub-series: | PS-HDMI |
| DUT / contact: | HDMI-A |
| DUT interface gender : | F signal conductor female / socket |
| Width: | 30 mm [1.18 in] |
| Height: | 10 mm [.393 in] |
| Min. temperature: | -80 °C [-112 °F] |
| Max. temperature: | 150 °C [302 °F] |
| RoHS-compliant: | Yes |

Inner conductor data

| | |
|---|--------|
| Inner conductor tip style material: | 3 CuBe |
| Inner conductor max. current load capacity: | 1 A |
| Number of inner conductor poles: | 19 |

Mechanical data

| | |
|---|-----------------|
| Total length: | 30 mm [1.18 in] |
| Installation height without receptacle: | 30 mm [1.18 in] |

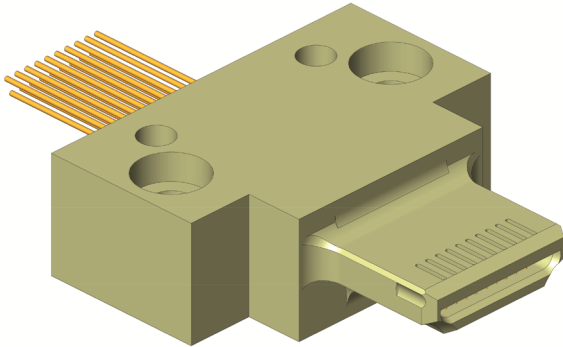
Test plug
PS-HDMI-019

Item 34814



ingun[®]

Partner for Future Technology



INGUN Prüfmittelbau GmbH

Max-Stromeyer-Straße 162
78467, Constance, Germany
Phone +49 7531 8105-0
Customer hotline +49 7531 8105-888
Fax +49 7531 8105-65
info@ingun.com



Prices and delivery times on request.
Technical changes reserved. 05/26_GB

Learn more about
Test probes

