

Board marker probe

ME-E-S2,0-12-060-K12V

Item 25251



GO TO PRODUCT

ingun[®]

Partner for Future Technology

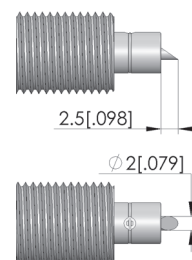
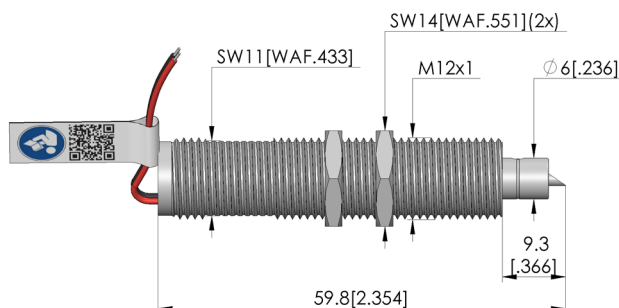
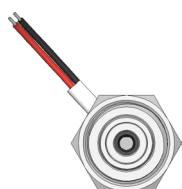
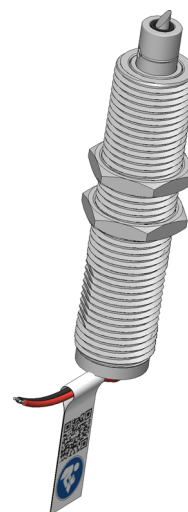
- Compact, robust design
- Precise, adjustable positioning
- Permanent marking of various materials
- Outstanding service life, highly resistant to wear
- Electric drive system

Application

The new ME-E board marker probe is used for reliable marking of tested electronic assemblies. It is installed in a test fixture or exchangeable kit, takes up little space, and can be precisely adjusted.

Function

The spring-loaded marking engraver is pressed against the surface of the PCB during the test. The marking unit is supplied with current in the contacted state. The rotary movement generated by the current marks the PCB permanently.



General data

Product group:
Series:
Version:
Accessory type:
Outer dimensions (TxL):
Outer thread:
Lock nut width across flats:
Marking type:
Approx. marking Ø:
Surface material:
Weight:
Min. temperature:
Max. temperature:
RoHS-compliant:

Board marker probes (ME)
ME-E
Electrical
Customising accessories
12 x 60 mm [.472 x 2.36 in]
M12 x 1
14 mm [.551 in]
Circle
2 mm [.078 in]
Soft
0.04 kg [.088 lbs]
-20 °C [-4 °F]
65 °C [149 °F]
Yes

Technical data

Recommended working stroke:
Recommended marking impulse:
Maximum stroke (ME):
Approx. compression at working stroke:
Marking tip:
Engraver material:
Approx. engraver hardness:
Drive:
Motor connection via:
Rated voltage:
Rated output:
No-load current:
Starting current:
Connecting resistance:
Max. load current:
Max. torque:
Approx. idle speed:
Noise emission:

1.5 mm [.059 in]
1 s
2 mm [.078 in]
3 N [10.7 ozf]
Cutting engraver
Solid carbide
1600 HV
Electric gear motor
Cable
12 V DC
.75 W
3.68 mA
106 mA
114 Ohm
81 mA
54 mNm [.477 lbf·in]
180 U/min
Not relevant

Compatible with

Manual test fixtures (MA): MA 20xx
Vacuum test fixtures (VA): VA xxxx
MA exchangeable kits (ATS MA):
VA exchangeable kits (ATS VA):
PA exchangeable kits (ATS PA):

ATS VINxxx
ATS PAZxxx

BOARD MARKER PROBES

Board marker probe ME-E-S2,0-12-060-K12V

Item 25251



ingun[®]

Partner for Future Technology

Accessories

Part no.	Designation	Version
36797	ASV-ME-E-WK-EC	Extraction device

INGUN Prüfmittelbau GmbH

Max-Stromeyer-Straße 162
78467, Constance, Germany
Phone +49 7531 8105-0
Customer hotline +49 7531 8105-888
Fax +49 7531 8105-65
info@ingun.com



Prices and delivery times on request.
Technical changes reserved. 06/26_GB

Learn more about
Board marker probes



ingun.com

BOARD MARKER PROBES