

Radio-frequency probe

HFS-440 201 051 A 5002

Item HFS-440-0066

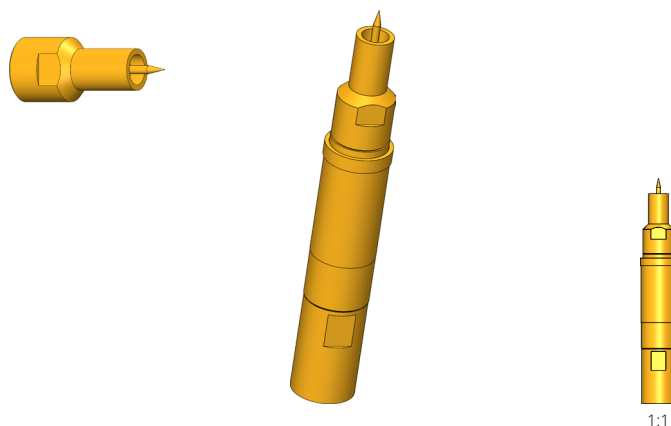


GO TO PRODUCT

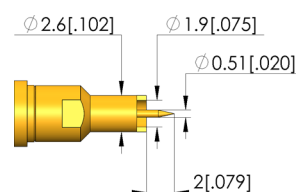
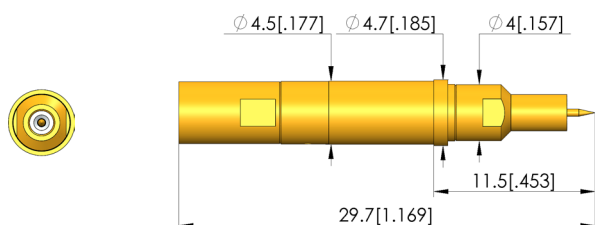
ingun[®]

Partner for Future Technology

- short standard series
- Up to 4 GHz
- Cable interface MCX
- Plug-in version
- Receptacles: KS-410, KS-410 f



1:1



General data

Product group:	HFS radio-frequency test probes
Series:	HFS-440
Sub-series:	HFS-440 short version
Grid:	5.8 mm [228 mil]
DUT / contact:	PCB coax, closed
Installation type:	Plug-in
Floating mount:	No
Non-rotating:	Yes
Continuous plunger:	Yes
Interface of compatible assembly:	MCX 50 Ohm
Compatible assembly interface gender:	M signal conductor male / pin
KS sub-series:	KS-410, press-in version
Min. temperature:	-40 °C [-40 °F]
Max. temperature:	80 °C [176 °F]
RoHS-compliant:	Yes

Outer conductor data

Outer conductor tip style:	02 flat
Outer conductor tip style diameter:	2.6 mm [.102 in]
Spring force of entire outer conductor at working stroke:	4 N [14.3 ozf]
Outer conductor working stroke:	2 mm [.078 in]
Outer conductor maximum stroke:	3 mm [.118 in]
Exchangeable outer conductor:	KO-810-0150
Outer conductor max. current load capacity:	10 A

Inner conductor data

Inner conductor tip style:	01 30° needle tip, self-cleaning
Inner conductor tip style diameter:	0.51 mm [.02 in]
Inner conductor tip style material:	2 steel
Inner conductor tip style surface:	A gold
Number of inner conductors:	1
Exchangeable inner conductor:	GKS-051-0059
Inner conductor working stroke:	2 mm [.078 in]
Spring force of each inner conductor at working stroke:	1 N [3.59 ozf]
Inner conductor maximum stroke:	3 mm [.118 in]
Inner conductor max. current load capacity:	2 A

Electrical data

Frequency range up to:	4 GHz
Impedance:	50 Ohm

Mechanical data

Total spring force at working stroke:	5 N [17.9 ozf]
Total length:	29.7 mm [1.16 in]
Barrel diameter:	4.5 mm [.177 in]
Installation height without receptacle:	11.5 mm [.452 in]

INGUN Prüfmittelbau GmbH

Max-Stromeyer-Straße 162
78467, Constance, Germany
Phone +49 7531 8105-0
Customer hotline +49 7531 8105-888
Fax +49 7531 8105-65
info@ingun.com



Prices and delivery times on request.
Technical changes reserved. 06/26_GB

Learn more about
Radio-frequency test probes



ingun.com