

Push button box FB-ADT-MAxxxx

Item 40980

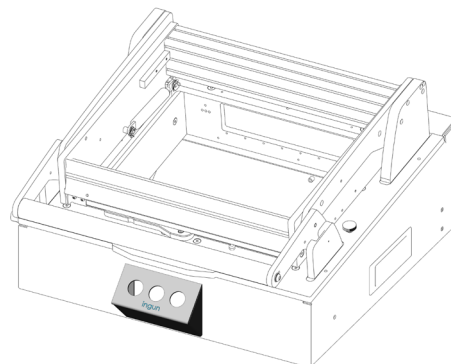


GO TO PRODUCT

ingun[®]

Partner for Future Technology

- Holder for individual fitting with function push-buttons or blind plugs
- Easy installation on MA xxxx basic unit
- Recommended products for assembly: part 33466, part 33467, part 33468, part 48687



General data

Product group:	Functional units
Series:	FB-MAxxxx
Type:	Push button box
Version:	3 holes, D = 23 mm
Accessory type:	Additional function
Scope of delivery:	Unpopulated
Material:	3.3535, RAL 9006
Width:	120 mm [4.72 in]
Height:	85 mm [3.34 in]
Weight:	0.1 kg [.22 lbs]
Min. temperature:	10 °C [50 °F]
Max. temperature:	60 °C [140 °F]
RoHS-compliant:	Yes

Compatible with

Exchangeable kits version:	No limitations
Manual test fixtures (MA):	MA xxxx

Technical data

Length:	46 mm [1.81 in]
Diameter:	23 mm [.905 in]
Outer dimensionS (WxDxH):	120 x 46 x 85 mm [4.72 x 1.81 x 3.34 in]

Accessories

Part no. EN	Designation	Tip version EN
33466	EDT-22,5-02-GE-24V-LED	Electric push button
33467	EDT-22,5-02-RT-24V-LED	Electric push button
33468	EDT-22,5-02-GN-24V-LED	Electric push button
48687	EDT-22,5-02-WS-BLIND	Electric push button

INGUN Prüfmittelbau GmbH

Max-Stromeyer-Straße 162
78467, Constance, Germany
Phone +49 7531 8105-0
Customer hotline +49 7531 8105-888
Fax +49 7531 8105-65
info@ingun.com



Prices and delivery times on request.
Technical changes reserved. 05/26_GB

Learn more about
MA functional units

