

Interchangeable kit WS ASYS/ATH01/173,5

Item 116630



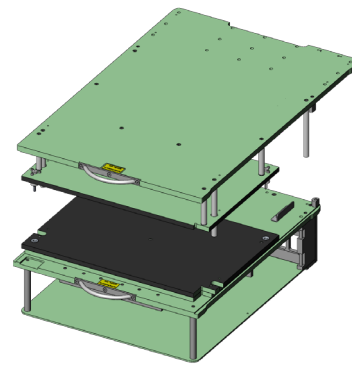
GO TO PRODUCT

ingun®

Partner for Future Technology

- Inline interchangeable kit for ASYS handler ATH01/173,5
- Precise, reliable contacting with peRFectly configured guides
- Dual-stage centring in top interchangeable kit (1. FS/PCB - 2. WSO/WSU)
- Modular design with bottom interchangeable kit (WSU) and top interchangeable kit (WSO)
- Robust, durable design with outstanding service life
- For the assembly of items delivered unassembled, Refer to the drawings of the items specified in the parts list to assemble items

NEW



Application

The WS ASYS/ATH01/173,5 inline interchangeable kit is used for reliable testing of PCBs in the ASYS ATH01 inline handler, which has a working distance (distance between the insertion plates when contacted) of 173.5 mm.

Version

- 12 mm thick, ESD-compliant, deflection-resistant, floating pressure frame plate made of FR4
- 12 mm thick, ESD-compliant, deflection-resistant probe plate made of FR4
- 12 mm thick, deflection-resistant spacer plate made of FR4
- 10 mm thick, deflection-resistant reinforcement bar made of steel
- High-precision guide pins with guide bushes for centring of top interchangeable kit (WSO) and bottom interchangeable kit (WSU).
- Pylon interface for the bottom interchangeable kit (WSU) for signal connection to the test system
- Barcode bracket on the top interchangeable kit (WSO) and bottom interchangeable kit (WSU).
- Extensive range of accessories for individually configurable upgrade and DUT-specific customisation

Guide quality

- Centring range of floating mount: ± 0.075 mm
- Centring accuracy of guide pins/guide bushes: $\pm 0,05$ mm

Delivery

The kit must be assembled upon delivery and includes Pylon interface for bottom interchangeable kit (WSU), reinforcement bars, guide pins, spacer bolts, barcode bracket, and installation accessories.

Interface to test system

The inline interchangeable set is connected to the test system via Pylon interfaces. The Pylon interface for the bottom interchangeable kit (WSU) is included in the scope of delivery, while the interface for the top interchangeable kit (WSO) is available separately. Both unpopulated Pylon interfaces are equipped with DUT-side interface blocks (SB-P-....).

Note:

The WS ASYS/ATH01/173.5 inline interchangeable kit is designed for ASYS inline distributors with a working distance of 173.5 mm. The working distance refers to the distance between the insertion plates when they are in the working position (contacted).

Note:

The customising guidelines INFO 4717 should be referred to for the DUT-specific customisation of the inline interchangeable kit. The customising guidelines INFO 4716 must be used for the kit-specific customisation.

Note:

Guide pins with guide bushes for WSO/WSU should be replaced after approximately 750,000 load cycles or 0.1 mm wear to ensure a consistently high contact quality.

INLINE INTERCHANGEABLE KITS

Interchangeable kit WS ASYS/ATH01/173,5

Item 116630



GO TO PRODUCT

ingun[®]

Partner for Future Technology

General data

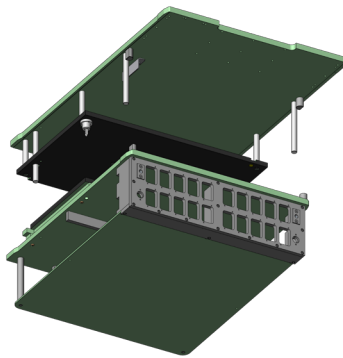
Product group:	Inline interchangeable kit (WS)
Subseries:	WS ASYS
Series:	WS ASYS
Version:	With interface
Scope of delivery:	Unassembled
Max. interface signals:	20
Interface blocks required:	Device under test (DUT) side
Max. internal interface blocks:	20
Dual-stage contacting:	Yes
Double-sided contact:	Yes
Weight:	38.4 kg [84.6 lbs]
Min. temperature:	10 °C [50 °F]
Max. temperature:	60 °C [140 °F]
Low voltage:	yes
RoHS-compliant:	Yes

Compatible with

Test systems: ASYS INVENTUS ATH01 (173,5)

Technical data

Pushrod length:	20 mm [.787 in]
Test probe installation height, top:	16 mm [.629 in]
Test probe installation height, bottom:	16 mm [.629 in]
Test probe installation height, dual-stage, bottom:	19.8 mm [.779 in]
Free space above PCB:	70 mm [2.75 in]
Useable area (WxD):	445 x 345 mm [17.5 x 13.5 in]
Outer dimensionS (WxDxH):	520 x 830 x 314 mm [20.4 x 32.6 x 12.3 in]



Interchangeable kit WS ASYS/ATH01/173,5

Item 116630



GO TO PRODUCT

ingun[®]

Partner for Future Technology

Accessories

Part no.	Designation	Version
Functional units		
116633	SST-PYLON-20-WSO-ASYS	Pylon interface, 20 poles, max. 3,400 signals
116652	TF-P-SI-340-ASYS	Transfer field, 2 poles, max. 340 signals
116662	VSP WSO-ASYS	Wiring guard plate
116663	VZ-R-08-40-M-ASYS	Pre-centring, diameter: 8 mm, length: 40 mm
Coding blocks		
49906	KB-P-SI-020-24A-L-ASYS	Contact block DUT side, 20 poles
49907	KB-T-SI-020-24A-L-ASYS	Contact block test system side, 20 poles
Sensors		
116668	FB-ABF-K-HMK-ASYS	Check PCB properly aligned positioned
116667	FB-ABF-A-O-10-30VDC	Check PCB present
Customising accessories		
47841	FS-1,95-DK-24-03-B	Tooling pin 3-edged chisel, tip diameter: 1.95 mm
47840	FS-1,95-SW-24-03-B	Tooling pin sword, tip diameter: 1.95 mm
50248	FS-2,90-DK-24-03-B	Tooling pin 3-edged chisel, tip diameter: 2.90 mm
60804	FS-2,90-SW-24-03-B-G	Tooling pin sword, tip diameter: 2.90 mm
30364	FS-3,00-DK-21-03-B	Tooling pin 3-edged chisel, tip diameter: 3.00 mm
30365	FS-3,00-SW-21-03-B	Tooling pin sword, tip diameter: 3.00 mm
22661	NHS-ST-20,0-2,5-POM-M3	Pushrod rigid, tip diameter: 2.5 mm, length: 20 mm
49097	NHS-GF-23,2-5,0-KU-ST-ESD	Pushrod spring-loaded, tip diameter: 5.0 mm, length: 58 mm
Interface blocks (excerpt)		
13515	SB-P-SI-170-4A-0,6	Signal block
16900	SB-P-HS-045-30A-1,0	High-current block
31002	SB-P-HF-016-0,7GHz	Radio-frequency block, 0,7 GHz
34571	SB-P-HF-016-4GHz-Z	Radio-frequency block, 4 GHz
42627	SB-P-HF-008-6GHz-Z	Radio-frequency block, 6 GHz
35532	SB-P-HF-004-18GHz	Radio-frequency block, 18 GHz
116155	SB-P-HSD-005	High-speed-digital block
29448	SB-P-LL-045-DM2,3	Optical wave block
37821	SB-P-PN-008-PK3-A	Pneumatic block
50581	SB-P-MB-20/4-30A/PK3-A	Mixed block, High-current/Pneumatic

INGUN Prüfmittelbau GmbH

Max-Stromeyer-Straße 162
78467, Constance, Germany
Phone +49 7531 8105-0
Customer hotline +49 7531 8105-888
Fax +49 7531 8105-65
info@ingun.com



Prices and delivery times on request.
Technical changes reserved. 05/26_GB

Learn more about
Inline interchangeable kit



INLINE INTERCHANGEABLE KITS

ingun.com