

Spare part kit, guide ETK-FUS-12-48-ST-M4

Item 111458

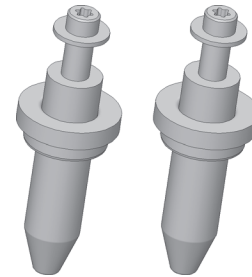


GO TO PRODUCT

ingun[®]

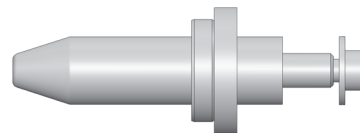
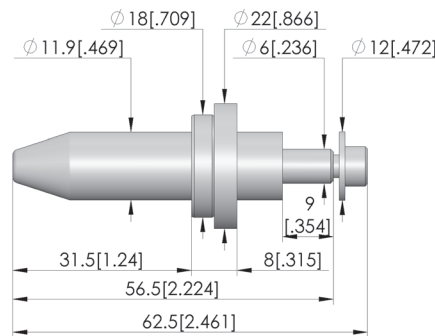
Partner for Future Technology

- Spare parts kit for reliable preventative maintenance
- High-precision guide pins with guide bushes
- Centring accuracy of +/- 0.05 mm
- Precise, low-friction contacting
- Easy exchange



Application

Spare parts are necessary as part of preventive maintenance, or as soon as components wear out during normal operation and need to be replaced. Guide pins are used in combination with compatible guide bushings for precise, low-friction contacting. This is primarily to minimise the lateral and torsional forces acting on the stroke movement and to ensure reliable, accurate contact.



General data

Product group:	Spare part kits
Series:	ETK-WS-TD
Type:	Guide pins/guide bushes
Version:	Round with pin (D6 x 9.0)
Accessory type:	Spare parts
Scope of delivery:	Must be installed upon delivery, installation
accessories included	
Material:	1.4305
Weight:	0.11 kg [0.242 lbs]
Min. temperature:	10 °C [50 °F]
Max. temperature:	45 °C [113 °F]
RoHS-compliant:	Yes

Compatible with

Interchangeable kits (WS):

WS Teradyne/TSH5x

Technical data

Installation:

Thread M4

Length:

47.5 mm [1.87 in]

Diameter:

11.9 mm [0.468 in]

INGUN Prüfmittelbau GmbH

Max-Stromeyer-Straße 162
78467, Constance, Germany
Phone +49 7531 8105-0
Customer hotline +49 7531 8105-888
Fax +49 7531 8105-65
info@ingun.com



Prices and delivery times on request.
Technical changes reserved. 06/26_GB

Learn more about
Inline interchangeable kit

