

Locking unit - closed

FB-VER-G-ESG-MAXxxx

Item 32665



GO TO PRODUCT

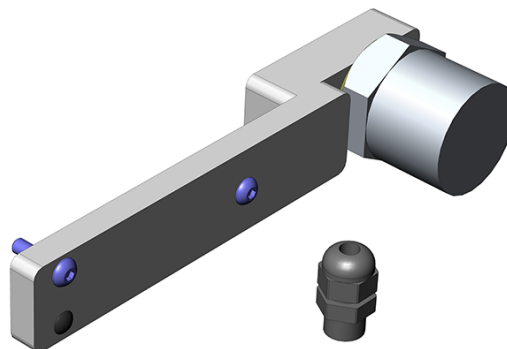
ingun[®]

Partner for Future Technology

- Secure locking of closed pressure frame during contacting

Application

To lock the closed pressure frame during contacting to ensure tests are not interrupted.



General data

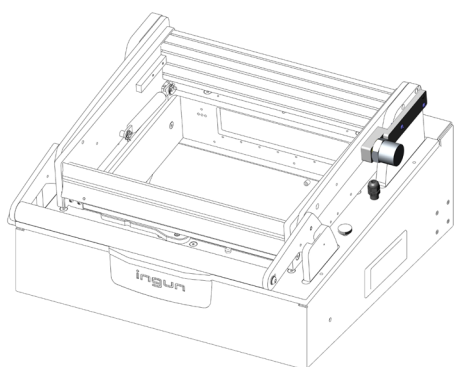
| | |
|--------------------|---|
| Product group: | Locking units |
| Series: | FB-MAXxxx |
| Type: | Locking unit for pressure frame unit (NDH) - closed |
| Version: | Electrical circuit closed (NC) |
| Accessory type: | Additional function |
| Scope of delivery: | Must be installed upon delivery |
| Width: | 50 mm [1.96 in] |
| Height: | 37 mm [1.45 in] |
| Weight: | 0.3 kg [.661 lbs] |
| Min. temperature: | 10 °C [50 °F] |
| Max. temperature: | 60 °C [140 °F] |
| RoHS-compliant: | Yes |

Compatible with

| | |
|----------------------------|------------|
| Manual test fixtures (MA): | MA xxxx |
| Accessories: | ATE VAxxxx |

Technical data

| | |
|---------------------------|--|
| Stroke: | 5 mm [.196 in] |
| Installation: | Thread M4 |
| Max. voltage: | 24 VDC (11 W) |
| Length: | 153 mm [6.02 in] |
| Outer dimensionS (WxDxH): | 50 x 153 x 37 mm [1.96 x 6.02 x 1.45 in] |



INGUN Prüfmittelbau GmbH

Max-Stromeyer-Straße 162
78467, Constance, Germany
Phone +49 7531 8105-0
Customer hotline +49 7531 8105-888
Fax +49 7531 8105-65
info@ingun.com



Prices and delivery times on request.
Technical changes reserved. 05/26_GB

Learn more about
MA functional units



FUNCTIONAL UNIT

ingun.com