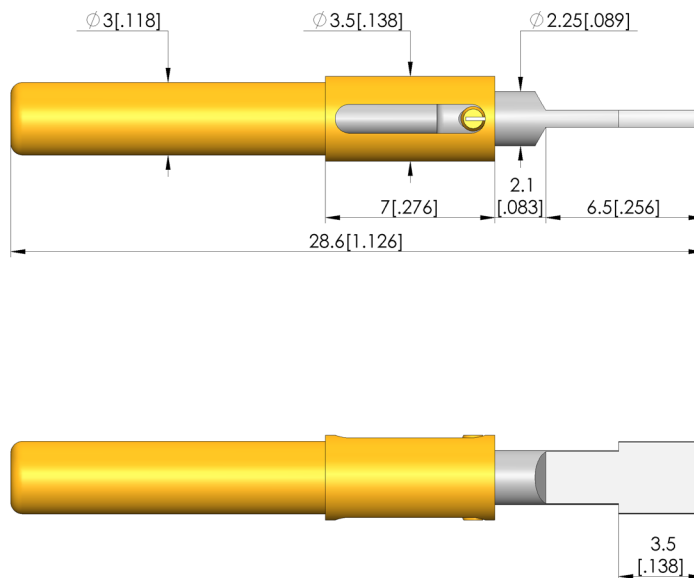
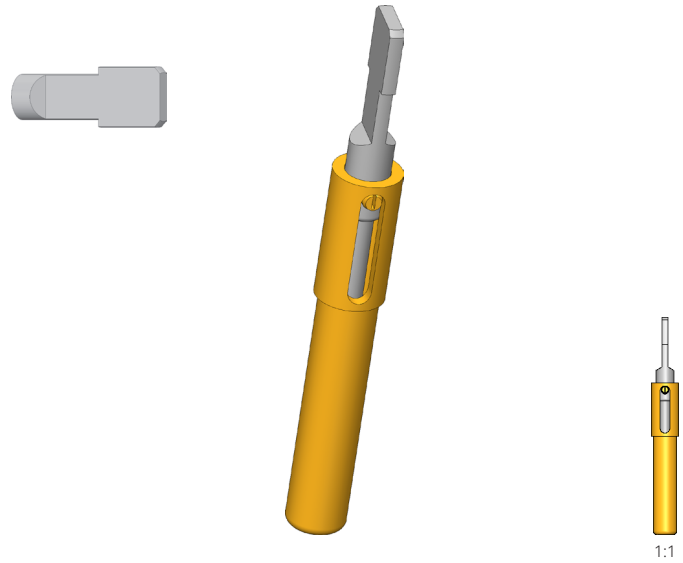




Durchgangsprüfung

Zur Überprüfung von möglichen offenen Verbindungen, Kurzschlüssen und Fehlverdrahtungen

- Für die Kabelbaumprüfung
- Verdreh gesichert



1:1

General data

| | |
|---------------------------------|--------------------------|
| Product group: | xxx |
| Sub-product group: | Non-rotating test probes |
| Series: | GKS-098 |
| Grid: | 4 mm [157 mil] |
| Contacting from: | Female connector |
| Magnetic: | Yes |
| Installation type: | Plug-in |
| Quick-exchange system: | Yes |
| Adjustable installation height: | No |
| Non-rotating: | Yes |
| Compatible receptacle(s): | KS-103 23 |
| Min. temperature: | -40 °C [-40 °F] |
| Max. temperature: | 80 °C [176 °F] |
| RoHS-compliant: | Yes |

Tip style data

| | |
|---------------------|-------------------------------|
| Tip style: | 29 spade, flat with flat head |
| Tip diameter: | 3 mm [.118 in] |
| Tip style surface: | R rhodium |
| Tip style material: | 3 CuBe |
| Spade width: | 0.7 mm [.027 in] |
| Spade length: | 6.5 mm [.255 in] |

Electrical data

| | |
|--|---------|
| Current load capacity / rated current: | 10 A |
| Typical resistance (Ri): | 30 mOhm |

Mechanical data

| | |
|---------------------------------|-------------------|
| Total length: | 28.6 mm [1.12 in] |
| Barrel diameter: | 3 mm [.118 in] |
| Maximum stroke: | 5 mm [.196 in] |
| Spring pre-load: | 0.45 N [1.61 ozf] |
| Collar height: | 07 |
| Spring force at working stroke: | 1.5 N [5.39 ozf] |
| Recommended working stroke: | 4 mm [.157 in] |

Test Probe

GKS-098 329 300 R 1507

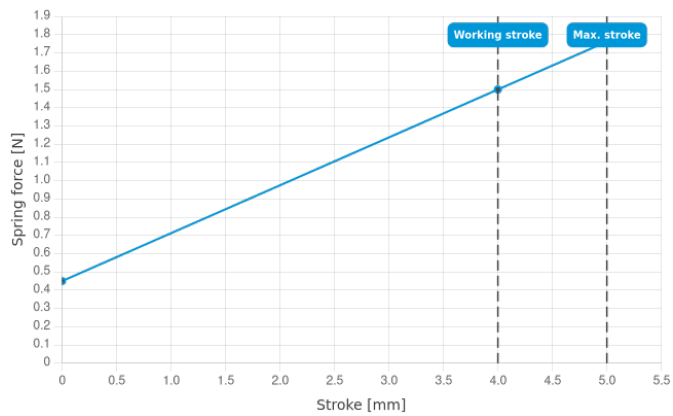
Item GKS-098-0001



GO TO PRODUCT

ingun®

Partner for Future Technology



INGUN Prüfmittelbau GmbH

Max-Stromeyer-Straße 162
78467, Constance, Germany
Phone +49 7531 8105-0
Customer hotline +49 7531 8105-888
Fax +49 7531 8105-65
info@ingun.com



Prices and delivery times on request.
Technical changes reserved. 07/26_GB