

# Pressure frame unit NDH-209-340-VL-ESD

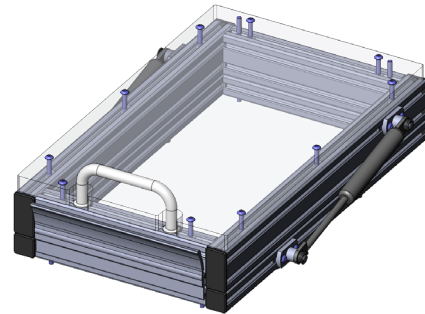
Item 34301



GO TO PRODUCT

**ingun**<sup>®</sup>

Partner for Future Technology



## General data

Product group:  
Series:  
Type:  
Version:  
Accessory type:  
Width:  
Height:  
Min. temperature:  
Max. temperature:

Mounted units  
NDH-VAxxxx  
ESD  
Locking strip  
Additional function  
250 mm [9.84 in]  
103 mm [4.05 in]  
10 °C [50 °F]  
60 °C [140 °F]

## Compatible with

Exchangeable kits version:

No limitations

## Technical data

Pushrod length: 55.6 mm [2.18 in]  
Free space above PCB: 54 mm [2.12 in]  
Pressure frame opening angle: 85 °  
Bearing distance: 168.5 x 300 x 60 mm [6.63 x 11.8 x 2.36 in]  
Useable area (WxD): 128 x 260 mm [5.03 x 10.2 in]  
Length: 360 mm [14.1 in]  
Outer dimensionS (WxDxH): 250 x 360 x 103 mm [9.84 x 14.1 x 4.05 in]

## INGUN Prüfmittelbau GmbH

Max-Stromeyer-Straße 162  
78467, Constance, Germany  
Phone +49 7531 8105-0  
Customer hotline +49 7531 8105-888  
Fax +49 7531 8105-65  
info@ingun.com



Prices and delivery times on request.  
Technical changes reserved. 05/26\_GB

Learn more about  
Test fixture kits

