

Detection - contacted FB-ABF-K-S-ATSMAXx

Item 33510

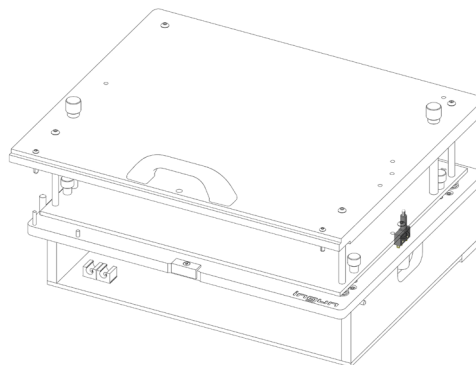


GO TO PRODUCT

ingun[®]

Partner for Future Technology

- Upgrade kits to make operation easier, increase the testing reliability, and to reduce handling times
- Available for manual test fixtures and exchangeable kits
- Wide range of varying functions



General data

Product group:

Series:

Type:

Version:

Accessory type:

Scope of delivery:

Width:

Height:

Min. temperature:

Max. temperature:

RoHS-compliant:

Functional units
FB-ATSMAXx
Pressure frame unit closed
Detection unit
Additional function
1x stroke switch
6.4 mm [.251 in]
36.2 mm [1.42 in]
-10 °C [14 °F]
85 °C [185 °F]
Yes

Compatible with

Exchangeable kits version:

MA exchangeable kits (ATS MA):

No limitations

ATS MAXx

Technical data

Connection:

Force:

Max. current:

Installation:

Max. voltage:

Length:

Outer dimensionS (WxDxH): 6.4 x 19.5 x 36.2 mm [.251 x .767 x 1.42 in]

Solder eyelet

1 N [3.59 ozf]

5 A

M6

30 V

19.5 mm [.767 in]

INGUN Prüfmittelbau GmbH

Max-Stromeyer-Straße 162

78467, Constance, Germany

Phone +49 7531 8105-0

Customer hotline +49 7531 8105-888

Fax +49 7531 8105-65

info@ingun.com



Prices and delivery times on request.
Technical changes reserved. 05/26_GB

Learn more about
MA functional units



FUNCTIONAL UNIT

ingun.com