

Reinforcement set

FB-VSL-KIT-NDH-AT SMA13/14

Item 46013



GO TO PRODUCT

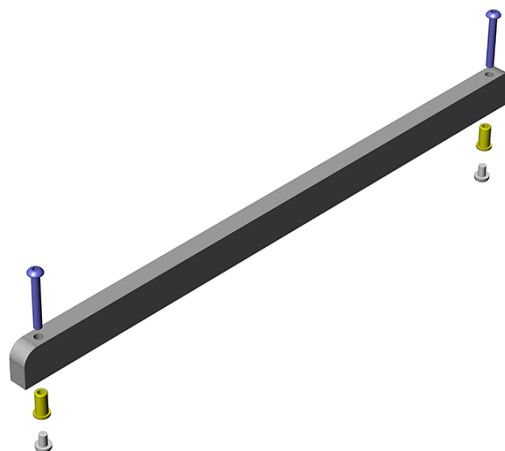
ingun[®]

Partner for Future Technology

- For installation on the pressure frame plate (NHP)
- Recommended for customisations with more than 300 test probes or a force greater than 500 N
- The scope of delivery includes one strip with fixing material in each case

Application

For reinforcing the pressure frame plate (NHP) to prevent deflection due to high forces resulting from customisation.



General data

Product group:	Functional units
Series:	FB-AT SMAxx
Type:	Reinforcement bar for pressure plate (NHP)
Version:	Set including installation accessories
Accessory type:	Additional function
Scope of delivery:	1 x reinforcement bar
Material:	1.0037, galvanised
Width:	10 mm [.393 in]
Height:	20 mm [.787 in]
Weight:	0.9 kg [1.98 lbs]
Min. temperature:	10 °C [50 °F]
Max. temperature:	60 °C [140 °F]
RoHS-compliant:	Yes

Compatible with

Exchangeable kits version: No RF

Technical data

Length: 334 mm [13.1 in]
Outer dimensionS (WxDxH): 10 x 334 x 20 mm [.393 x 13.1 x .787 in]

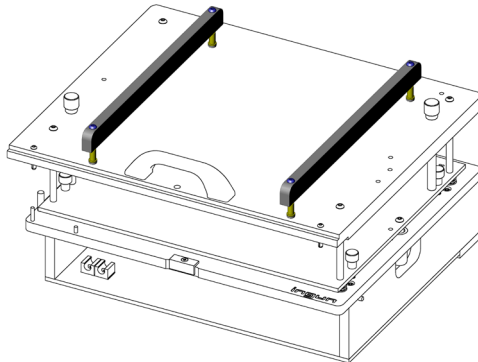
Reinforcement set FB-VSL-KIT-NDH-AT SMA13/14

Item 46013



ingun[®]

Partner for Future Technology



INGUN Prüfmittelbau GmbH

Max-Stromeyer-Straße 162
78467, Constance, Germany
Phone +49 7531 8105-0
Customer hotline +49 7531 8105-888
Fax +49 7531 8105-65
info@ingun.com



Prices and delivery times on request.
Technical changes reserved. 05/26_GB

Learn more about
MA functional units



FUNCTIONAL UNIT

ingun.com