

# Vacuum test fixture

## VA 4040/D/H

Item 114634



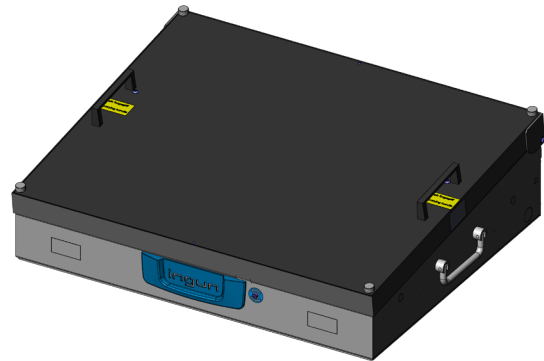
GO TO PRODUCT

ingun®

Partner for Future Technology

- Vacuum test fixture with parallel lifting vacuum cassette
- Robust, maintenance-friendly design with outstanding service life
- Increased ease of use thanks to simple, intuitive handling
- Easy access to housing interior thanks to wide opening angle
- Vacuum cassette can be upgraded for dual-stage contacting
- For the assembly of items delivered unassembled, Refer to the drawings of the items specified in the parts list to assemble items

NEW



### Application

Typical service life of tip is approximately 25,000 load cycles (laboratory conditions)

### Version

- 10 mm thick, deflection-resistant probe plate (KTP) made of FR4
- Incl. 6 mm thick moving plate (ADP) with ESD-conductive surface, including 4 captive screws
- Tool-free access to the probe plate (KTP) to replace worn test probes easily
- Housing to be opened with tool (TORX T20)
- Foldable bow handles for safe, easy transport.

### Delivery

The product is delivered partially assembled. The housing is fully assembled. The vacuum cassette with components to be reworked for a DUT-specific customisation must be assembled upon delivery.

### Note:

The customising guidelines document INFO 4630 should be referred to for the professional customisation of VA 40xx test fixtures for single-stage contacting. For dual-stage contacting customisation, please refer to customising guidelines document INFO 4638.

### General data

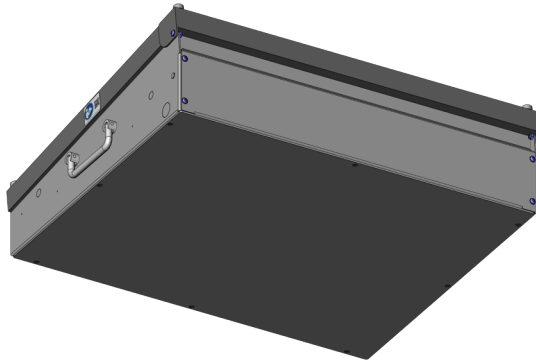
Test system interface:	Not pre-wired
Product group:	Vacuum test fixture (VA)
Main series:	VA xxxx
Subseries:	VA 40xx
Series:	VA 4040
Size:	xx40
Test fixture type:	Stand-alone test fixture
Contact stroke generation:	Vacuum
Housing type:	Desk housing
Contacting direction:	1-stage / 2-stage
Max. contact force:	16000 N [57,551 ozf]
Approx. parallel contact stroke:	12.8 mm [.503 in]
Weight:	11.5 kg [25.3 lbs]
Min. temperature:	10 °C [50 °F]
Max. temperature:	60 °C [140 °F]
RoHS-compliant:	Yes

### Technical data

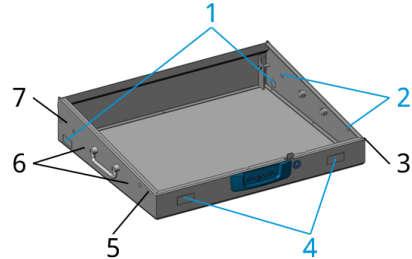
Test probe installation height, bottom:	16 mm [.629 in]
Test probe installation height, dual-stage, bottom:	21.3 mm [.838 in]
Force of gas pressure springs:	400 N (L: 200 N / R: 200 N)
Standard version:	Yes
Useable area, standard (WxD):	460 x 340 mm [18.1 x 13.3 in]
ESD version:	No
Radio frequency version:	No
Rigid pin version:	No
Dual-stage version:	Yes, with compatible additional option
Useable area, dual-stage (WxD):	435 x 340 mm [17.1 x 13.3 in]
Additional contacting unit (ZSK), top:	Yes, with suitable additional option
Outer dimensions, closed (WxDxH):	575 x 465 x 167 mm [22.6 x 18.3 x 6.57 in]



GO TO PRODUCT



### Housing perforations and pilot holes



#### Perforated for:

- 1. Cable connections
- 2. Additional handles
- 4. Stroke counter

#### Prepared for:

- 3. ESD discharge button
- 5. Anti-pinch protection
- 6. Alum-A handles
- 7. Earthing contact

### Accessories

Part no.	Designation	Version
114715	FB-2VE-VA4040	Dual-stage shifting unit
100974	VD-V-4040-2	Vakuumdichtung außen
107048	VD-Z-21-300-200-2	Vacuum seal vacuum-free zone (fixed dimensions)
109501	VD-Z-21-XXX-XXX-2	Vacuum seal vacuum-free zone (variable dimensions)
31788	GDF-185-60-200N-A6-A6	Gas pressure spring
105791	FED-10,0-24,5-103N-11,6	Pressure spring
2599	HBS-03,0-10,0	Stroke-limiting disk
116613	EHZ-08-R-11-TR	Electric stroke counter
113481	FB-TWA	Alum-A transport bracket
17036	FB-ALS-VAxxxx-2S	ESD discharge probe
115943	MAP VA4040	Ground plate

### INGUN Prüfmittelbau GmbH

Max-Stromeyer-Straße 162  
 78467, Constance, Germany  
 Phone +49 7531 8105-0  
 Customer hotline +49 7531 8105-888  
 Fax +49 7531 8105-65  
 info@ingun.com



Learn more about  
**Test fixture kits**

