

Interface block

SB-P-SI-136-4A-0,6-Z

Item 109467



GO TO PRODUCT

ingun[®]

Partner for Future Technology

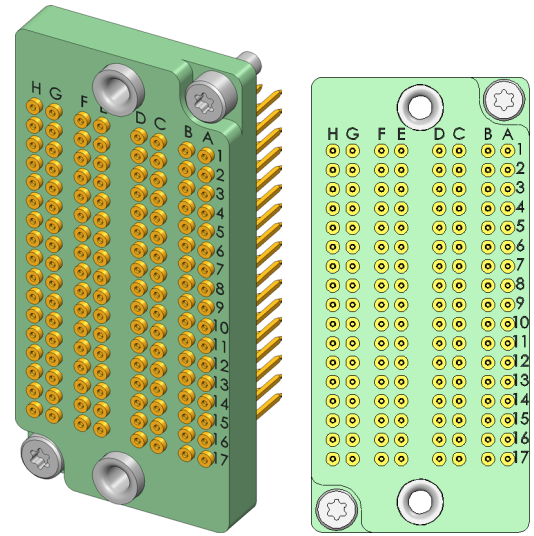
- Equipped with INGUN test probes
- Uniformly parallel wire-wrap posts
- Suitable for test fixtures with internal or external Pylon interface
- Consistently low contact resistances and replicable measured values
- High contact reliability and transmission quality
- Reliable transmission of low voltage signals
- Pre-assembled plug connectors as connection accessories

Application

Interface blocks (SB) are used to reliably transmit signals between test device and test system in internal and external Pylon interfaces. Signal blocks are suitable for the reliable transmission of low-voltage signals and hazardous voltages within the scope of their specification.

Signal transmission

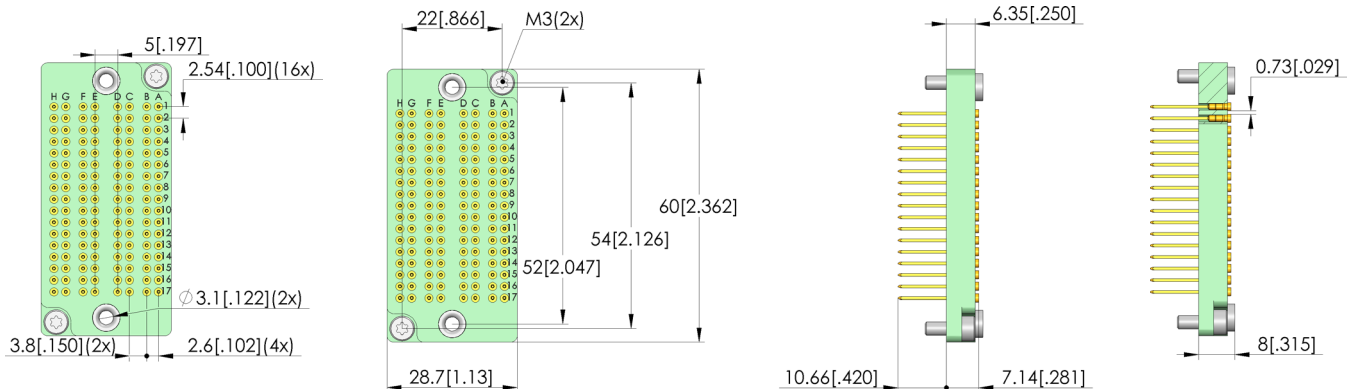
The signal is transmitted via two opposing interface blocks, which are designed for a working distance of 15.1 ± 0.5 mm between their mounting surfaces.



1:1

Delivery

The product is delivered fully assembled including the installation accessories.



General data

Product group:	Interface blocks (SB)
Series:	SB-SI
Type:	Signal block
Version:	Device under test (DUT) side
Accessory type:	Customising accessories
Component assembly:	KT-158 06 (posts)
Weight:	0.034 kg [.074 lbs]
Min. temperature:	-30 °C [-22 °F]
Max. temperature:	80 °C [176 °F]
RoHS-compliant:	Yes

Electrical data

Typical resistance (Ri) of one GKS:	5 mOhm
-------------------------------------	--------

Compatible with

Compatible mating part 1:	SB-T-SI-136-4A-Z
MA exchangeable kits (ATS MA):	ATS MAxx

Technical data

Working distance:	15,1 +/- 0,5 mm
Centring pin:	+/- 0,3 mm
Connection:	Wire-wrap posts
Number of poles:	136 (fixed positions)
Air distance (not wired):	0,64 mm [.025 in]
Max. current of one GKS:	4 A
Max. current of all GKS:	1 A
Max. voltage:	510 V
Max. power loss:	4 W
Min. line cross-section:	0,25 mm ² [.00038 in ²]



GO TO PRODUCT

Accessories

Part no.	Designation	Version
Connector cable		
115179	ASK-BL17-F-G-0700-AWG26-GE	17 pole, 1x socket strip, yellow, pin-1 brown, 700 mm long
115181	ASK-BL17-F-G-0700-AWG26-GN	17 pole, 1x socket strip, green, pin-1 brown, 700 mm long
115178	ASK-BL17-F-G-0700-AWG26-SW	17 pole, 1x socket strip, black, pin-1 brown, 700 mm long
115180	ASK-BL17-F-G-0700-AWG26-RT	17 pole, 1x socket strip, red, pin-1 brown, 700 mm long
115184	ASK-BL17-F-G-0400-BL17-F-G-GE	17 pole, 2x socket strip, yellow, pin-1 brown, 400 mm long
115186	ASK-BL17-F-G-0400-BL17-F-G-GN	17 pole, 2x socket strip, green, pin-1 brown, 400 mm long
115183	ASK-BL17-F-G-0400-BL17-F-G-SW	17 pole, 2x socket strip, black, pin-1 brown, 400 mm long
115185	ASK-BL17-F-G-0400-BL17-F-G-RT	17 pole, 2x socket strip, red, pin-1 brown, 400 mm long
115256	ASK-VG34-F-W-0280-SUBD-037-F-W	34 pole, 1x VG connector, 1x SUBD connector, grey, pin-1 red, 280 mm long
115279	ASK-VG34-F-W-0180-SUBD-037-F-W	34 pole, 1x VG connector, 1x SUBD connector, grey, pin-1 red, 180 mm long

INGUN Prüfmittelbau GmbH

Max-Stromeyer-Straße 162
 78467, Constance, Germany
 Phone +49 7531 8105-0
 Customer hotline +49 7531 8105-888
 Fax +49 7531 8105-65
 info@ingun.com

