

Safety switch

FB-SIS-ZSG-MA2xxx

Item 46020

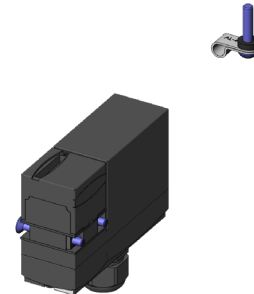


GO TO PRODUCT

ingun[®]

Partner for Future Technology

- Safety switch with solenoid interlock NC - normally closed
- For safety-relevant test fixture locking units that unlock under voltage



General data

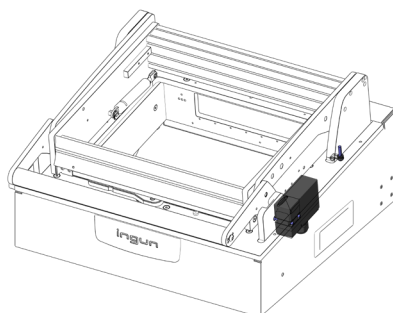
Product group:	Safety switch / actuator
Series:	FB-MAxxxx
Type:	Safety switch
Version:	With NC guard locking
Accessory type:	Additional function
Scope of delivery:	Must be installed upon delivery, installation
accessories included	
Width:	30 mm [1.18 in]
Height:	69 mm [2.71 in]
RoHS-compliant:	Yes

Compatible with

Exchangeable kits version: No limitations

Technical data

Connection:	Cable
Current rating:	4 A
Length:	90 mm [3.54 in]
Outer dimensionS (WxDxH):	30 x 90 x 69 mm [1.18 x 3.54 x 2.71 in]



INGUN Prüfmittelbau GmbH

Max-Stromeyer-Straße 162
78467, Constance, Germany
Phone +49 7531 8105-0
Customer hotline +49 7531 8105-888
Fax +49 7531 8105-65
info@ingun.com



Prices and delivery times on request.
Technical changes reserved. 05/26_GB

Learn more about
MA functional units



FUNCTIONAL UNIT

ingun.com