

# Button activator touch screen

## TAB-M-10-6-TS

Item 111500



GO TO PRODUCT

ingun®

Partner for Future Technology

- Manual button activator to contact touchscreens
- Scratch-free, gentle contacting of the touchscreen surface
- A separate earth connection is not necessary
- Quick, easy, space-saving installation
- Typical service life of tip approximately 25,000 load cycles (laboratory conditions)
- Optional 10 mm extension (part. 115169) available.

### Application

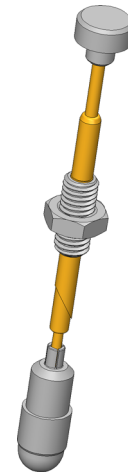
Space-saving contacting of capacitive touch screens can be carried out during testing using the manual button actuator with capacitive tip made of carbon fibre. Capacitive touch screens are used in smartphones, tablets, and information monitors, for example.

### Function

When contact is made with the touchscreen surface, this causes a change in the electromagnetic field, and consequently the capacity. By measuring this change, the position on the touchscreen can be reliably determined. The newly developed probe actuator with capacitive tip does not have to be connected separately to electrical earth to ensure proper functioning, as the electrical discharge is carried out via the operator.

### Delivery

Delivered partially assembled, tip is enclosed .



#### Note:

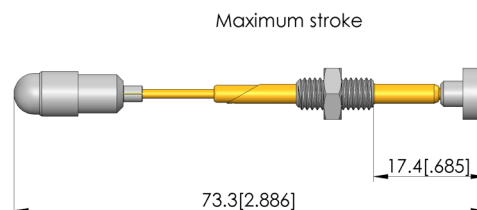
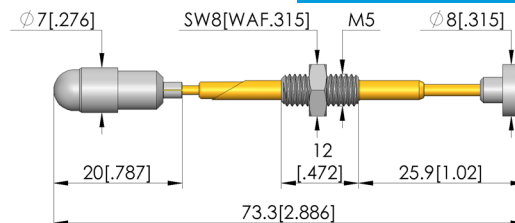
Design is not vacuum-tight, nor LVD-compliant.

#### Note:

Due to manufacturing tolerances of the individual parts, the actual length may vary in the range of approx. 76 mm to approx. 78 mm and the actual stroke in the range of approx. 9 mm to approx. 11 mm.

#### Note:

Capacitive tip is attached after installation in the test fixture



# Button activator touch screen

## TAB-M-10-6-TS

Item 111500



GO TO PRODUCT

**ingun**<sup>®</sup>

Partner for Future Technology

### General data

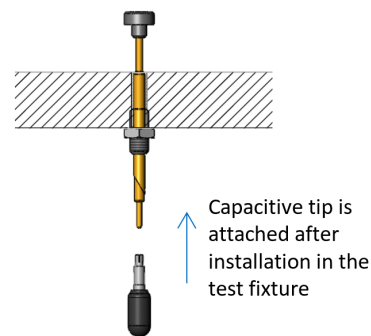
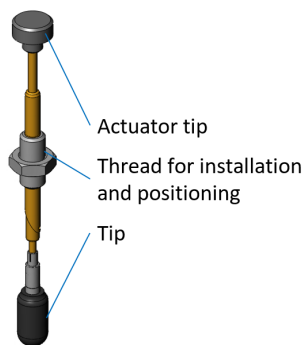
Product group: Button activator  
Series: TAB  
Type: Button actuator (TAB), manual  
Version: 73.3 long, touch screen  
Accessory type: Customising accessories  
Scope of delivery: Partially assembled, tip enclosed  
Width: 9.5 mm [.374 in]  
Weight: 0.01 kg [.022 lbs]  
Min. temperature: 10 °C [50 °F]  
Max. temperature: 60 °C [140 °F]  
RoHS-compliant: Yes

### Compatible with

Exchangeable kits version: No RF  
Manual test fixtures (MA): MA 2012  
MA exchangeable kits (ATS MA): ATS MAxx  
PA exchangeable kits (ATS PA): ATS PAZxxx  
For dual-stage contacting: Yes

### Technical data

Stroke: 8 mm [.314 in]  
Tip diameter: 7 mm [.275 in]  
Installation: Thread M5  
Installation grid: 10 mm [.393 in]  
Length: 73.3 mm [2.88 in]



### INGUN Prüfmittelbau GmbH

Max-Stromeyer-Straße 162  
78467, Constance, Germany  
Phone +49 7531 8105-0  
Customer hotline +49 7531 8105-888  
Fax +49 7531 8105-65  
info@ingun.com



Prices and delivery times on request.  
Technical changes reserved. 06/26\_GB