

Spare part kit, gas spring

ETK-GDF-400N-MAxxxx

Item 39400

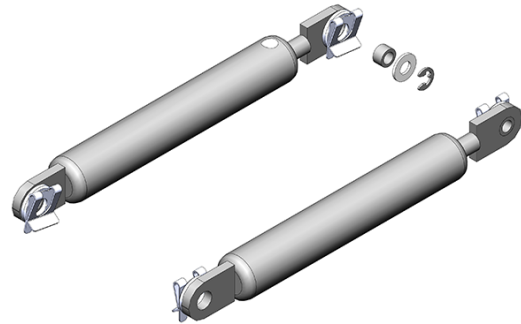


GO TO PRODUCT

ingun[®]

Partner for Future Technology

- Set of shock-absorbing and standard gas spring, incl. customising accessories
- Shock-absorbing gas spring is marked with a white dot and should be mounted on the left side of the test fixture
- Easy replacement by operators on site



General data

Product group:

Series:

Type:

Version:

Accessory type:

Spare part kits

ETK-MAxxxx

Set

MA xx13

Spare parts

Compatible with

Exchangeable kits version:

Manual test fixtures (MA):

No limitations

MA 2x13

Technical data

Stroke:

Force:

Length:

60 mm [2.36 in]

400 N [1,438 ozf]

185 mm [7.28 in]

INGUN Prüfmittelbau GmbH

Max-Stromeyer-Straße 162

78467, Constance, Germany

Phone +49 7531 8105-0

Customer hotline +49 7531 8105-888

Fax +49 7531 8105-65

info@ingun.com



Prices and delivery times on request.
Technical changes reserved. 06/26_GB

Learn more about
Test fixture kits

