

Shock-proof plate FB-BSP-AT SMA13

Item 41813

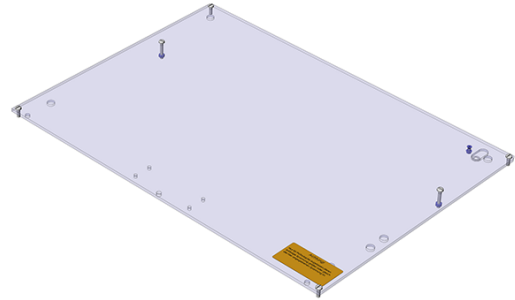


GO TO PRODUCT

ingun[®]

Partner for Future Technology

- Upgrade kits to make operation easier, increase the testing reliability, and to reduce handling times
- Available for manual test fixtures and exchangeable kits
- Wide range of varying functions



General data

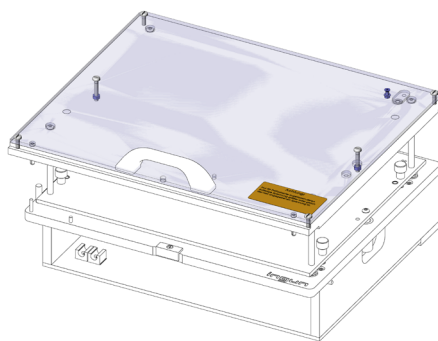
| | |
|-----------------|--|
| Product group: | Protective earth wiring / shock-proof protection |
| Series: | FB-AT SMAxx |
| Accessory type: | Additional function |
| Width: | 506 mm [19.9 in] |
| Height: | 4 mm [.157 in] |
| RoHS-compliant: | Yes |

Compatible with

| | |
|--------------------------------|----------|
| Exchangeable kits version: | No RF |
| MA exchangeable kits (ATS MA): | ATS MA13 |

Technical data

| | |
|---------------------------|--|
| Length: | 360 mm [14.1 in] |
| Outer dimensionS (WxDxH): | 506 x 360 x 4 mm [19.9 x 14.1 x .157 in] |



INGUN Prüfmittelbau GmbH

Max-Stromeyer-Straße 162
78467, Constance, Germany
Phone +49 7531 8105-0
Customer hotline +49 7531 8105-888
Fax +49 7531 8105-65
info@ingun.com



Prices and delivery times on request.
Technical changes reserved. 05/26_GB

Learn more about
MA functional units

