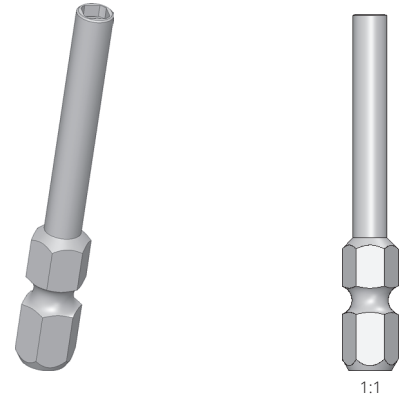




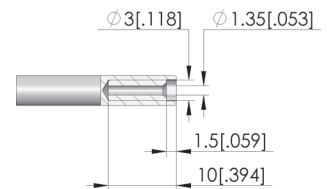
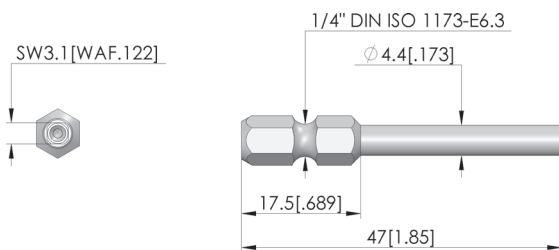
GO TO PRODUCT

BIT-Werkzeug

Zum Ein- und Ausschrauben von Kontaktstiften



1:1



General data

Screw-in torque max.:	5 cNm [.442 lbf·in]
Product group:	Bit inserts (BIT)
Compatible test probe(s) / receptacle(s):	022 GKS-967
Series:	BIT-GKS
Tool for receptacle (KS):	No
Tool for test probe (GKS):	Yes
Test probe installation type:	Screw-in
Min. tip diameter:	0 mm [0 in]
Max. tip diameter:	1.3 mm [.051 in]
Tool version:	Rigid
Screw-in torque:	3 – 5 cNm [.265 – .442 lbf·in]
RoHS-compliant:	Yes

INGUN Prüfmittelbau GmbH

Max-Stromeyer-Straße 162
78467, Constance, Germany
Phone +49 7531 8105-0
Customer hotline +49 7531 8105-888
Fax +49 7531 8105-65
info@ingun.com



Learn more about
Tool

