

Battery contacting probe

BCP-692 360 750 A 15029-59

Item BCP-692-0004

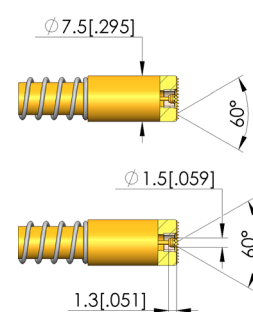
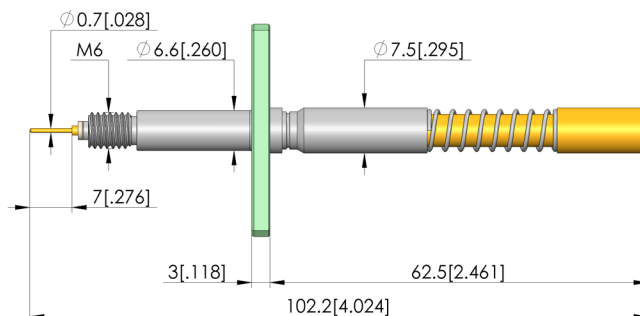
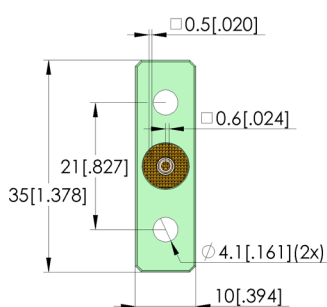
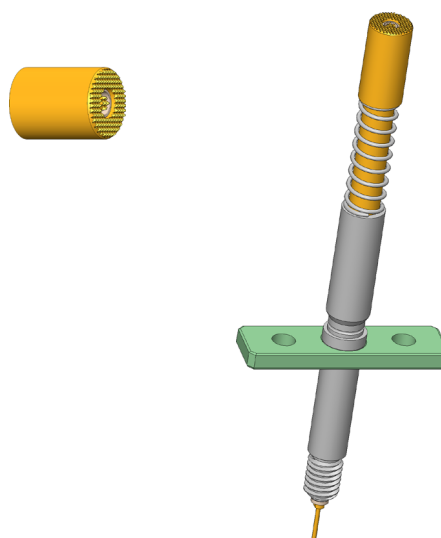


GO TO PRODUCT

ingun[®]

Partner for Future Technology

- Contacting solution for cylindrical and prismatic cells, battery modules and packs
- Current rating upto 20 A on Al DUT with temperaturer rise $dT \leq 20$ K ; max. current rating of 100 A on high conducting materials like copper alloys
- Designed for a range of cell contacting applications such as Formation, Charging and DC-IR measurement
- Low-resistance contact probe with R_i typical < 5 m Ω
- simple installation via flange mounting
- Dipole Design provided with measuring contact for precise voltage measurements



General data

Product group:	Dipole BCP / 4-wire clamp
Sub-product group:	Dipole BCP / 4-wire clamp
Series:	BCP-692
Application rec.:	
Grid:	11 mm [433 mil]
DUT / contact:	
Magnetic:	Yes
Installation type:	Flange
Quick-exchange system:	No
Type of test probe connection:	Thread connection
Adjustable installation height:	No
Non-rotating:	No
Min. temperature:	-100 °C [-148 °F]
Max. temperature:	200 °C [392 °F]
RoHS-compliant:	Yes

Electrical data

Current load capacity / rated current:	100 A
Rated current on copper @ $\Delta T \leq 20$ K:	60 A
Rated current on copper @ $\Delta T \leq 60$ K:	100 A
Rated current on aluminium @ $\Delta T \leq 20$ K:	20 A
Rated current on aluminium @ $\Delta T \leq 60$ K:	60 A
Typical resistance (R_i):	5 mOhm

Mechanical data

Total length:	102.2 mm [4.02 in]
Barrel diameter:	6.6 mm [.259 in]
Maximum stroke:	10 mm [.393 in]
Spring pre-load:	7.3 N [26.2 ozf]
Collar height:	29
Spring force at working stroke:	15 N [53.9 ozf]
Recommended working stroke:	8 mm [.314 in]

Tip style data

Tip style:	60 serrated, small grid
Tip diameter:	7.5 mm [.295 in]
Tip style surface:	A gold
Tip style material:	3 CuBe

Battery contacting probe

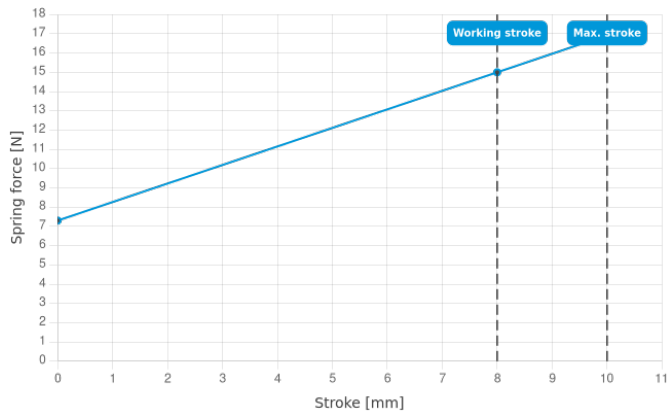
BCP-692 360 750 A 15029-59

Item BCP-692-0004



ingun[®]

Partner for Future Technology



INGUN Prüfmittelbau GmbH

Max-Stromeyer-Straße 162
78467, Constance, Germany
Phone +49 7531 8105-0
Customer hotline +49 7531 8105-888
Fax +49 7531 8105-65
info@ingun.com



Prices and delivery times on request.
Technical changes reserved. 06/26_GB

Learn more about
Test probes

