

# Battery contacting probe

## BCP-694 360 1400 A 60004-53

Item BCP-694-0001

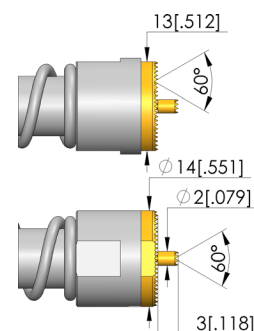
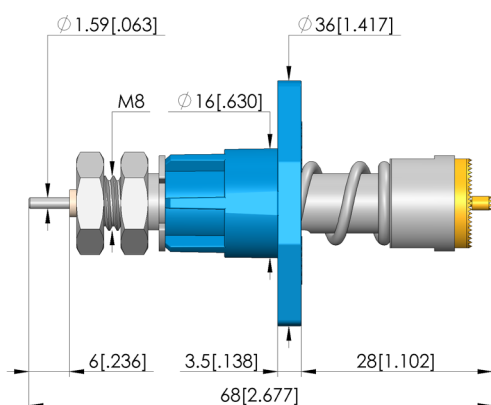
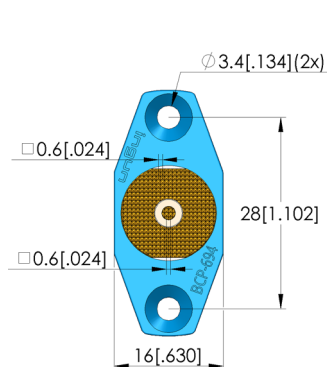
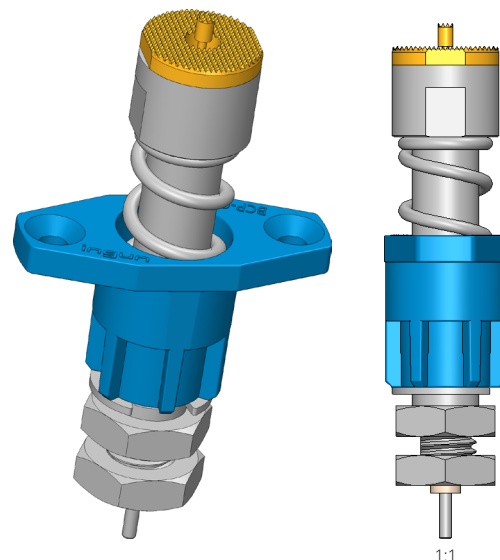


GO TO PRODUCT

**ingun**<sup>®</sup>

Partner for Future Technology

- Contacting solution for cylindrical cells (46xx) and prismatic as well blade cells, Battery Modules and -Packs
- Current rating upto 100 A on Al DUT with temperaturer rise  $dT \leq 20 \text{ K}$ ; max. current rating of 260 A on high conducting materials like copper alloys
- Designed for a range of cell contacting applications such as Formation, Charging and DC-IR measurement
- Continuous plunger system with minimal resistance R typical  $< 2 \text{ m}\Omega$
- Simple flange mounting with flexible cable connection
- Dipole Design provided with measuring contact for precise voltage measurements
- Easy connection of the voltage sensor: both soldering and cable lug installation possible



### General data

Product group:	Dipole BCP / 4-wire clamp
Sub-product group:	Dipole BCP / 4-wire clamp
Series:	BCP-694
Application rec.:	
Grid:	17 mm [669 mil]
DUT / contact:	
Magnetic:	Yes
Installation type:	Flange
Quick-exchange system:	No
Type of test probe connection:	Thread connection
Adjustable installation height:	No
Non-rotating:	Yes
Continuous plunger:	M 8 x 10,5
Min. temperature:	-40 °C [-40 °F]
Max. temperature:	80 °C [176 °F]
RoHS-compliant:	Yes

### Tip style data

Tip style:	60 serrated, small grid
Tip diameter:	14 mm [.551 in]
Tip style surface:	A gold
Tip style material:	3 CuBe

### Electrical data

Current load capacity / rated current:	260 A
Rated current on copper @ $\Delta T \leq 20 \text{ K}$ :	160 A
Rated current on copper @ $\Delta T \leq 60 \text{ K}$ :	260 A
Rated current on aluminium @ $\Delta T \leq 20 \text{ K}$ :	100 A
Rated current on aluminium @ $\Delta T \leq 60 \text{ K}$ :	180 A
Typical resistance (Ri):	.5 mOhm

### Mechanical data

Total length:	68 mm [2.67 in]
Barrel diameter:	16 mm [.629 in]
Maximum stroke:	7 mm [.275 in]
Spring pre-load:	30.34 N [109 ozf]
Collar height:	04
Spring force at working stroke:	60 N [215 ozf]
Recommended working stroke:	4.4 mm [1.73 in]

# Battery contacting probe

## BCP-694 360 1400 A 60004-53

Item BCP-694-0001

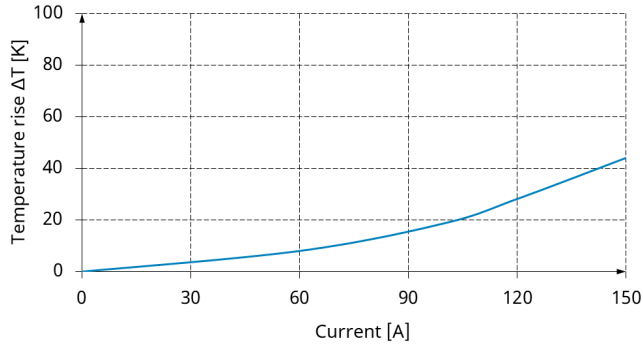


GO TO PRODUCT

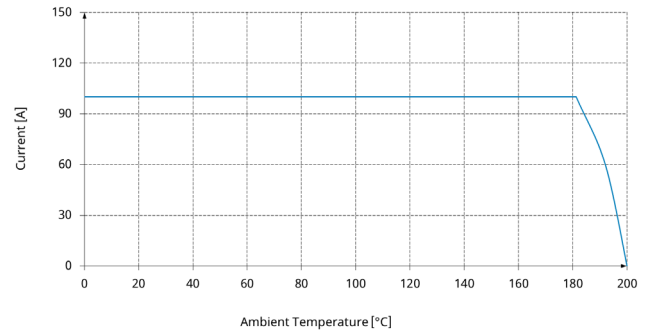
**ingun**<sup>®</sup>

Partner for Future Technology

**Current Rating**  
Aluminium Contact



**Current Derating**  
Aluminium Contact



### Cable plug assemblies

Part no. EN	Designation	Tip version EN
SE-AWG20-0002	SE-AWG20-2-BU01660-100	cable assembly
SE-AWG08-0002	SE-AWG08-6-AN0003-100-AN0004-3	cable assembly

### INGUN Prüfmittelbau GmbH

Max-Stromeyer-Straße 162  
78467, Constance, Germany  
Phone +49 7531 8105-0  
Customer hotline +49 7531 8105-888  
Fax +49 7531 8105-65  
info@ingun.com



Prices and delivery times on request.  
Technical changes reserved. 06/26\_GB

Learn more about  
**Test probes**

