

Desk housing PGH MA12/TDS/BG

Item 114903



GO TO PRODUCT

ingun[®]

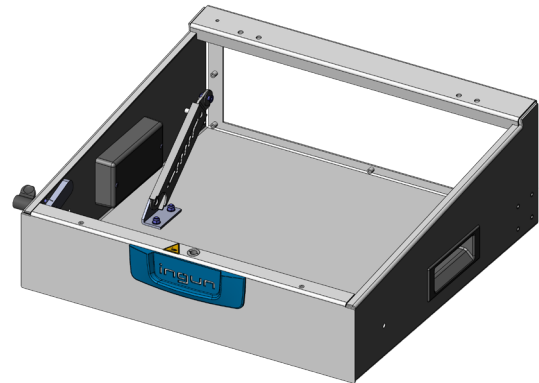
Partner for Future Technology

Application

Desk housing for vacuum test fixtures MA xxxx for modular test fixture configuration.

Version

Closed base, without rear panel



General data

Product group:	Housing
Series:	PGH-MAxxxx
Type:	MA xx12
Version:	Desk housing with KSG, TDS, base plate
Accessory type:	Additional function
Scope of delivery:	Unassembled
Material:	3.3535
Width:	492 mm [19.3 in]
Height:	178 mm [7 in]
Weight:	2.6 kg [5.73 lbs]
Min. temperature:	10 °C [50 °F]
Max. temperature:	60 °C [140 °F]
RoHS-compliant:	Yes

Compatible with

Manual test fixtures (MA):

MA xx12

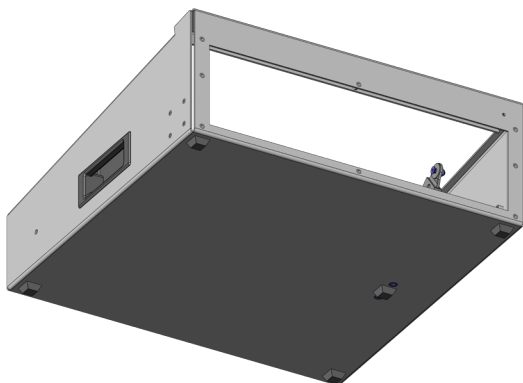
Technical data

Length:

451 mm [17.7 in]

Outer dimensionS (WxDxH):

492 x 451 x 178 (114) mm



INGUN Prüfmittelbau GmbH

Max-Stromeyer-Straße 162
78467, Constance, Germany
Phone +49 7531 8105-0
Customer hotline +49 7531 8105-888
Fax +49 7531 8105-65
info@ingun.com



Prices and delivery times on request.
Technical changes reserved. 05/26_GB

Learn more about
Test fixture kits

