

# Spare part kit, gas spring

## ETK-GDF-150N-MAxxxx

Item 41150

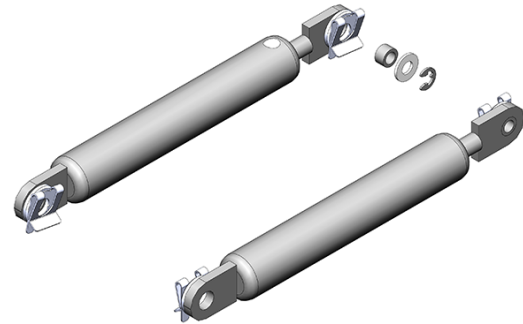


GO TO PRODUCT

**ingun**<sup>®</sup>

Partner for Future Technology

- Set of shock-absorbing and standard gas spring, incl. customising accessories
- Shock-absorbing gas spring is marked with a white dot and should be mounted on the left side of the test fixture
- Easy replacement by operators on site



### General data

Product group:  
Series:  
Type:  
Version:  
Accessory type:

Spare part kits  
ETK-MAxxxx  
Set  
MA xx09  
Spare parts

### Compatible with

Exchangeable kits version:  
Manual test fixtures (MA):

No limitations  
MA 2109

### Technical data

Stroke:  
Force:  
Length:

60 mm [2.36 in]  
150 N [539 ozf]  
185 mm [7.28 in]

### INGUN Prüfmittelbau GmbH

Max-Stromeyer-Straße 162  
78467, Constance, Germany  
Phone +49 7531 8105-0  
Customer hotline +49 7531 8105-888  
Fax +49 7531 8105-65  
info@ingun.com



Prices and delivery times on request.  
Technical changes reserved. 05/26\_GB

Learn more about  
Test fixture kits

