



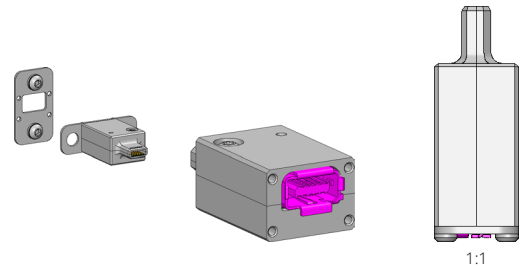
GO TO PRODUCT

- Testing of ix Industrial® Ethernet connector
- Consistent radio-frequency performance for signal and data transmission up to 10 Gbit/s
- Shielded housing made from aluminium
- Long service life thanks to robust housing, low-wear internal structure and optimised abrasion properties
- Optional spring elements (112863: set of 2) can be installed using wrench sizes 5, 5.5, and 7 mm. Mounting tolerances and angular errors can be compensated
- Cable interface to the test system with original cable ix Industrial® (plastic housing must be removed, locking hooks may have to be loosened with tweezers).

### ix Industrial® connector:

- Connector designed as a new standard for Ethernet interfaces.
- Replacement for RJ45 connection, requires 70 % less space.
- Capacity for 10-GBit/s-Ethernet.
- Connector available for type A (Cat6A Ethernet) and type B (signal and bus communication) codings and according to IEC 61076-3-124.

### INGUN SELECTION

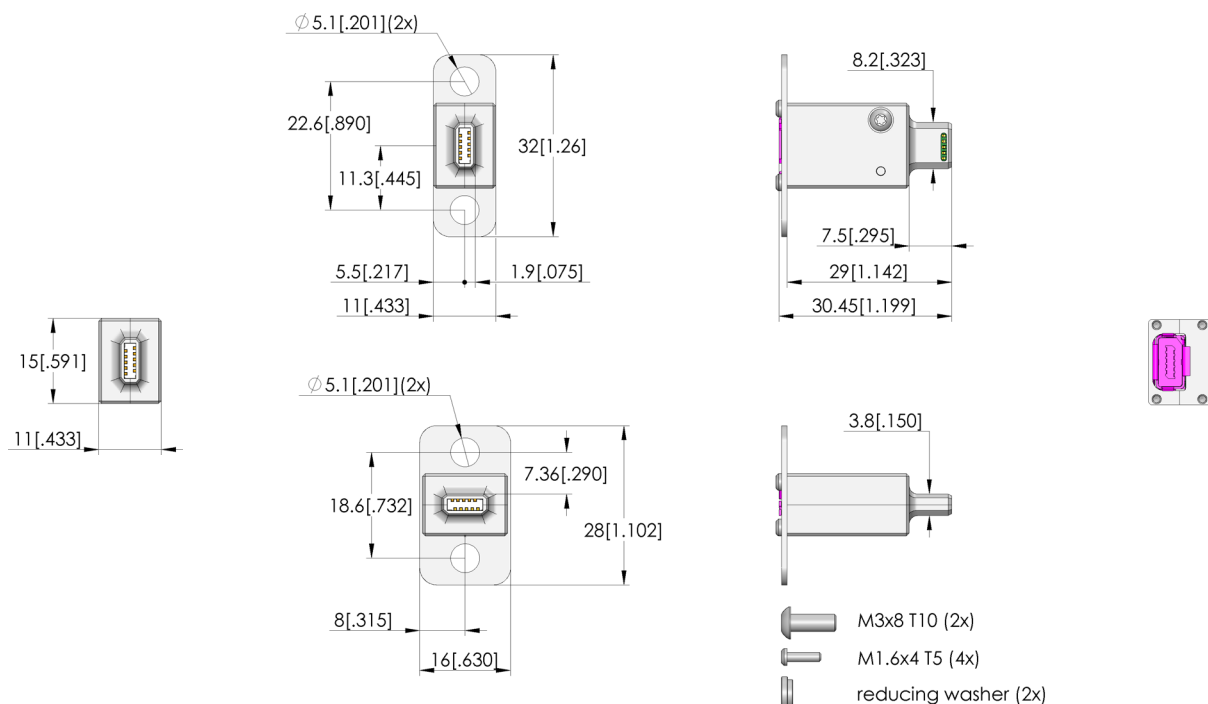


### Test plug for ix Industrial socket:

- This test plug is intended for testing ix Industrial® Ethernet connectors.
- Consistent radio-frequency performance for signal and data transmission
- Shielded housing
- The metal housing protects the inner conductors
- Long service life due to low-wear internal design and optimised abrasion resistance

### Function and installation:

- Install one above the other or side by side using interchangeable retention plates. Secure with 4x Torx T4 (T4 key required)
- Cable interface to the test system with original cable ix Industrial® (plastic housing must be removed, locking hooks may have to be loosened with tweezers).
- Optional spring elements (112863: set of 2) can be installed using wrench sizes 5, 5.5, and 7 mm. Mounting tolerances and angular errors can be compensated



# Test plug

## PS-IXA-M-010-G5-B-00

Item 113781



GO TO PRODUCT

**ingun**<sup>®</sup>

Partner for Future Technology

### General data

Product group:	PS test plug
Series:	PS-IXA
Sub-series:	PS-IXA
DUT / contact:	
Installation type:	Flange
DUT interface gender :	F signal conductor female / socket
Non-rotating:	Yes
Interface of compatible assembly:	ix Industrial® type A
Compatible assembly interface gender :	F signal conductor female / socket
Width:	15 mm [.59 in]
Height:	11 mm [.433 in]
Min. temperature:	-40 °C [-40 °F]
Max. temperature:	80 °C [176 °F]
RoHS-compliant:	Yes

### Outer conductor data

Exchangeable outer conductor:	No
-------------------------------	----

### Inner conductor data

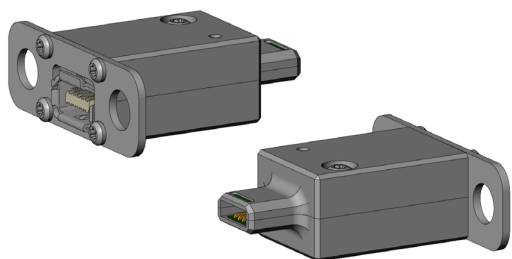
Number of inner conductors:	10
Exchangeable inner conductor:	No

### Electrical data

Max. data rate:	10 Gbit/s
-----------------	-----------

### Mechanical data

Total length:	30 mm [1.18 in]
Installation height without receptacle:	30.5 mm [1.2 in]



### INGUN Prüfmittelbau GmbH

Max-Stromeyer-Straße 162  
78467, Constance, Germany  
Phone +49 7531 8105-0  
Customer hotline +49 7531 8105-888  
Fax +49 7531 8105-65  
info@ingun.com



Prices and delivery times on request.  
Technical changes reserved. 06/26\_GB

Learn more about  
Test probes

