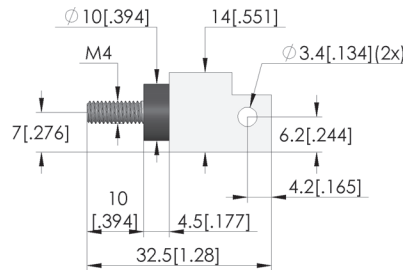
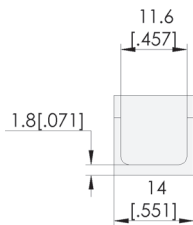
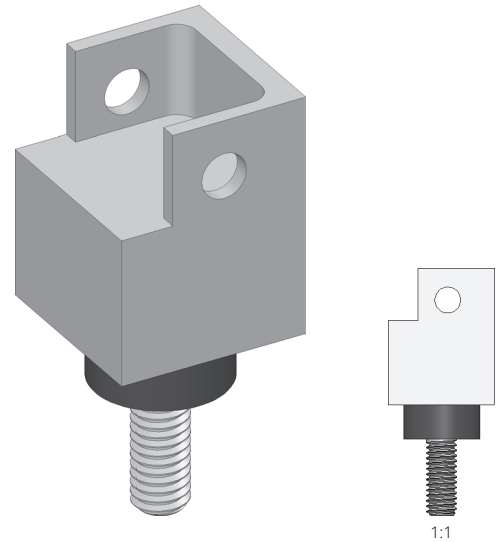




GO TO PRODUCT

- Aufnahmeschuh für 10-poligen Prüfstecker Durchgangsprüfung
- Passend für Prüfstecker 17826, 41164



General data

Product group:
Series:
Sub-series:
Press ring:
Surface area:
Knurl:
Vacuum-tight:
RoHS-compliant:

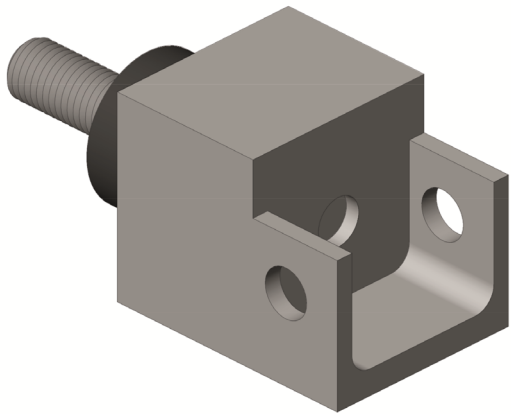
Test plug mounts (PSA)
PS-PSA
PSA-F11,6 flexible version
No
Unplated
No
No
Yes

Mechanical data

Total length: 32.5 mm [1.27 in]

Mounting hole

Mounting hole in CEM1: 4 mm [.157 in]
Mounting hole in FR4: 4 mm [.157 in]



INGUN Prüfmittelbau GmbH

Max-Stromeyer-Straße 162
78467, Constance, Germany
Phone +49 7531 8105-0
Customer hotline +49 7531 8105-888
Fax +49 7531 8105-65
info@ingun.com



Prices and delivery times on request.
Technical changes reserved. 06/26_GB

Learn more about
Test probes

